

INSTALLATION INSTRUCTIONS:

REFER TO APPROPRIATE MOUNTING PLATE TO INSTALL WALL MOUNTING PLATE CORRECTLY.

- A- ROUGH-IN WASTE AND SUPPLY LINE DURING -MP1 (1) INSTALLATION OR PRIOR TO MOUNTING FIXTURE.
- B- CAREFULLY REMOVE FIXTURE FROM PACKAGING MATERIAL AND COVER TO PREVENT SCRATCHING OR DAMAGE.
- C- REMOVE BOTTOM ACCESS PANEL (2). ENSURE PUSHBUTTON (3), P-TRAP (4), BUBBLER AND ALL TUBING CONNECTIONS HAVE NOT BECOME LOOSE DURING SHIPPING. CORRECT IF NECESSARY.
- D- ALIGN FIXTURE MOUNTING POINTS WITH STUDS (5) AND SLIDE FIXTURE TO FINISHED WALL WITH NUTS AND WASHERS PROVIDED.

- E- MAKE UP CONNECTION TO 1-1/4" OD WASTE TRAP ASSEMBLY (6) PROVIDED.
- F- FLUSH SUPPLY LINES THOROUGHLY BEFORE CONNECTING SUPPLY INLET (7). MAKE UP CONNECTIONS TO 1/4" OD COPPER TUBE INLET.
- G- TEST OPERATION OF BUBBLERS BY DEPRESSING BUTTONS AND ADJUST THE FLOW RATE AS REQUIRED. CHECK ALL CONNECTIONS AND WASTE PIPING FOR LEAKS. CORRECT IF PRESENT.
- H- RE-INSTALL BOTTOM ACCESS PANEL (2).

NOTE:
STANDARD VALVE SHOWN. FOR THE OPTIONAL -FRA1 FREEZE RESISTANT VALVE REFERENCE DRAWING # 9938-330-001.

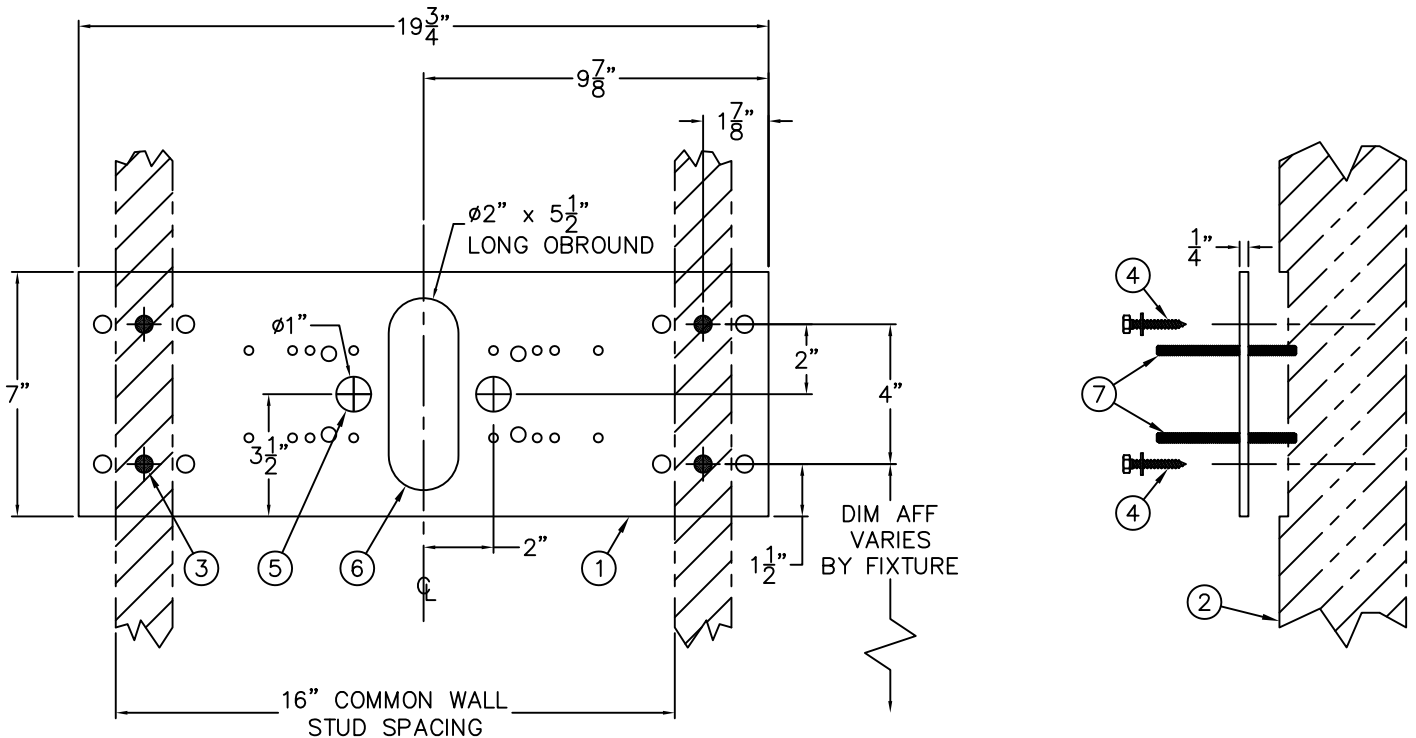
<p>MURDOCK-SUPER SECUR P.O. Box 3527 Industry, CA 91744 15125 Proctor Ave Industry, CA 91746 Phone: (800) 591-9880 www.murdock-supersecur.com</p>	<p>TITLE SQUARE OUTDOOR STONE WALL MOUNTED DRINKING FOUNTAIN</p>		
	<p>MANUFACTURE DATE</p> <p>OCTOBER 2005</p> <p>TO PRESENT</p>	<p>DATE ISSUED</p> <p>09/27/05</p> <p>DATE REVISED</p> <p>04/20/16</p>	<p>DRAWING NUMBER</p> <p>9938-210-001</p>



INSTALLATION INSTRUCTIONS

DRINKING FOUNTAIN

ROUGH-IN FOR 3/8" OD PUSH-IN SUPPLY INLET, STRAIGHT STOP RECOMMENDED. *1/4" NCT x 2" LONG TUBE STUB OUT PROVIDED.
ROUGH-IN FOR 1-1/4" OD P-TRAP WASTE OUTLET.

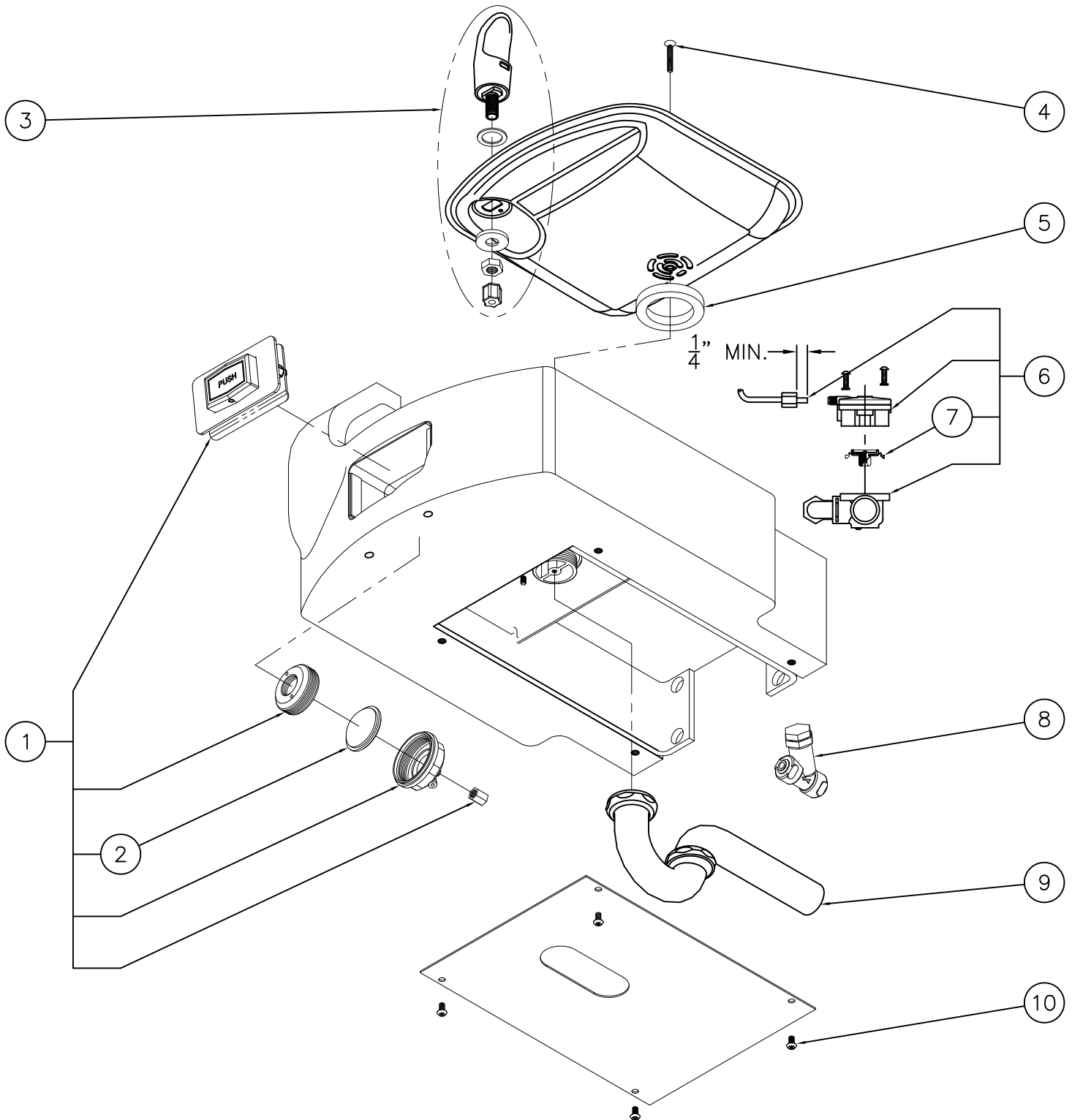


INSTALLATION INSTRUCTIONS:

- A-PLATE ① INTENDED TO BE RECESSED FLUSH WITH SUPPORT FRAMING ② PROVIDED BY INSTALLER. FRAME & BLOCK OUT SUPPORT USING DIMENSIONS SHOWN. FRAME SHOULD SUPPORT 300 LBS MINIMUM.
- B-MOUNTING PLATE ① IS 1/4" THICK AND INCLUDES 12, 1/2" DIAMETER PUNCHING FOR ANCHORING HARDWARE BY OTHERS.
- C-STRIKE A HORIZONTAL CHALK LINE TO LOCATE BOTTOM MOUNTING HOLES ③. REFERENCE DISCHARGE HEIGHT REQUIREMENTS FOR YOUR MODEL AND FACILITY TO DETERMINE CORRECT HEIGHT AT FINISHED FLOOR (AFF).

- D-AFTER POSITIONING PLATE CORRECTLY, FIX PLATE TO WALL USING APPROPRIATE, INSTALLER PROVIDED ANCHORING HARDWARE ④.
- E-MAKE UP APPROPRIATE SUPPLY ⑤ AND WASTE ⑥ ROUGHS THROUGH MOUNTING PLATE OPENINGS. A STRAIGHT SUPPLY STOP IS RECOMMENDED.
- F-REFER TO FIXTURE INSTALLATION SHEETS TO LOCATE 5/16" THREADED STUDS MOUNTING HARDWARE AND THREAD STUDS ⑦ THRU PLATE SO THAT A MINIMUM OF 1-1/4" OF THREAD PROJECTS BEYOND THE FINISHED WALL MATERIAL.
- G-PROTECT THREADED STUDS ⑦, SUPPLY ⑤ AND WASTE ⑥ ROUGHS WHILE FINISHING WALL.

<p>MURDOCK-SUPER SECUR P.O. Box 3527 Industry, CA 91744 15125 Proctor Ave Industry, CA 91746 Phone: (800) 591-9880 www.murdock-supersecur.com</p>	<p>TITLE -MP1 WALL MOUNTING PLATE</p>	
	<p>MANUFACTURE DATE JANUARY 2006 TO PRESENT</p>	<p>DATE ISSUED 09/28/05</p> <p>DATE REVISED 03/02/16</p>



1	6154-035-002	STONE CANTILEVER PUSHBUTTON ASSEMBLY	6	2590-610-001	S/T NON-METERING AIR-CONTROL VALVE
2	2566-0019-000	PUSHBUTTON DIAPHRAGM	7	2563-010-001	WATER DIAPHRAGM ASSEMBLY
3	7000-012-001	STAINLESS STEEL BUBBLER	8	7000-021-001	"Y" STRAINER
4	0152-006-000	ALLEN FLAT HEAD SCREW	9	7000-015-000	1-1/4" OUTER DIAMETER P-TRAP
5	7000-006-000	FLAT DRAIN ADAPTER GASKET	10	0112-002-000	CENTER REJECT ALLEN BUTTON HEAD SCREW
ITEM	PART NUMBER	DESCRIPTION	ITEM	PART NUMBER	DESCRIPTION



MURDOCK-SUPER SECUR
P.O. Box 3527 Industry, CA 91744
15125 Proctor Ave Industry, CA 91746
Phone: (800) 591-9880
www.murdock-supersecur.com

TITLE

SQUARE OUTDOOR STONE WALL MOUNTED DRINKING FOUNTAIN

MANUFACTURE DATE

**JANUARY 2006
TO PRESENT**

DATE ISSUED

11/01/05

DATE REVISED

04/20/16

DRAWING NUMBER

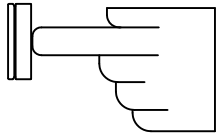


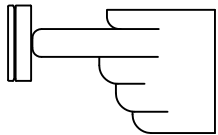

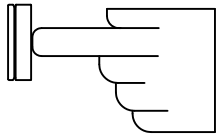

9938-210-500



PUSH PAD / PUSH BUTTON FRU FREEZE RESISTANT DRINKING FOUNTAINS
NON-METERING AIR-CONTROLLED VALVE - (DIRECT ACTING)

CONDITION:

SOLUTION:

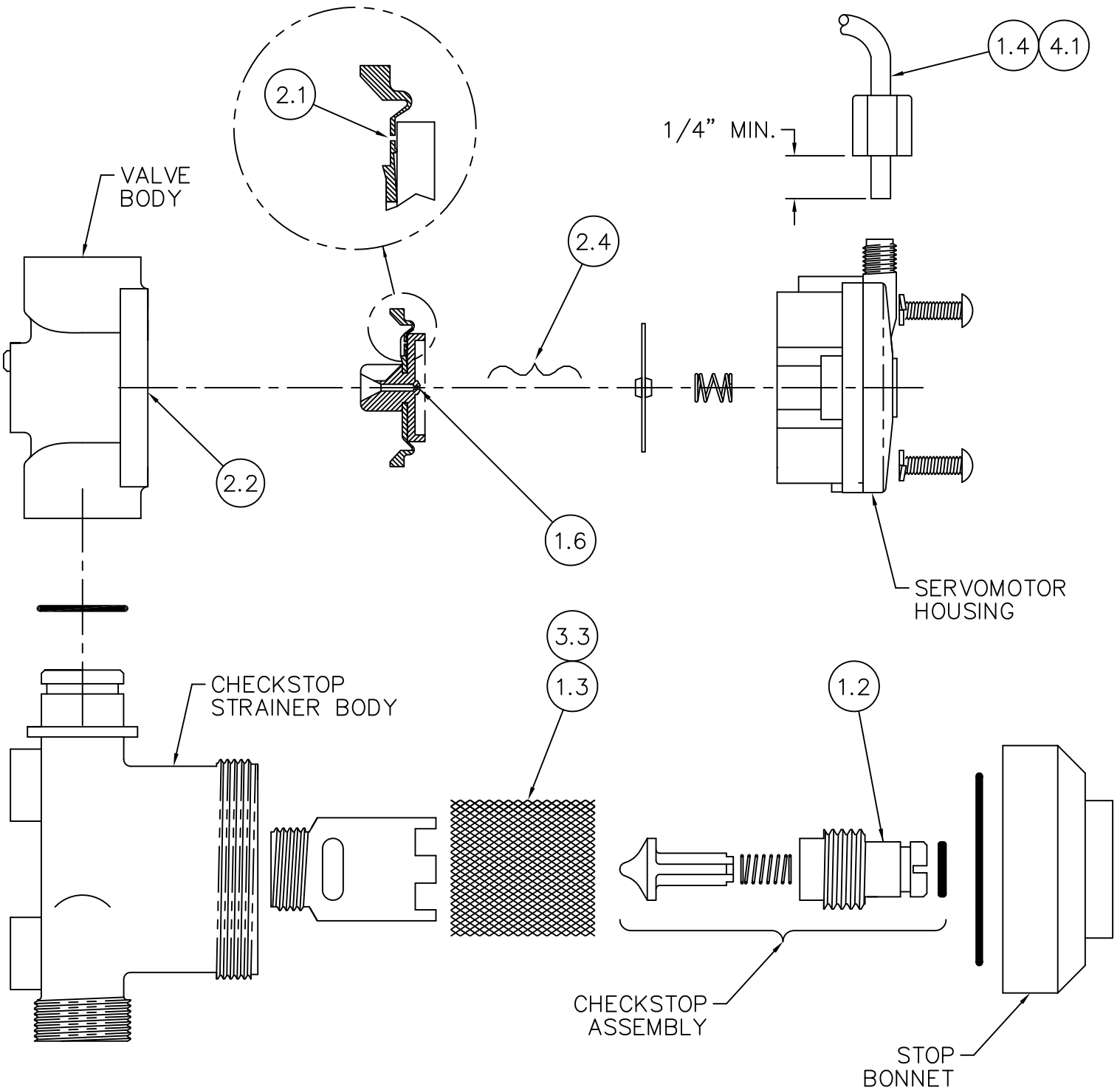
<p>NO WATER FLOW:</p>  	<ol style="list-style-type: none"> 1.1 Check water main supply – open. 1.2 Inspect checkstops – open. 1.3 Inspect checkstop strainer for debris – clean. 1.4 Check 1/8” O.D. tubing and fittings for leaks. 1.5 Check pushbutton air diaphragm for holes. 1.6 Check servomotor diaphragm center hole for blockage.
<p>WATER DRIPS / WILL NOT SHUT OFF:</p> 	<ol style="list-style-type: none"> 2.1 Check servomotor diaphragm offset hole for debris. 2.2 Check servomotor seat for build-up or damage. 2.3 Check servomotor seat o-ring for damage. 2.4 Check servomotor plate and diaphragm for obstruction.
<p>REDUCED WATER FLOW:</p>  	<ol style="list-style-type: none"> 3.1 Check water main supply for 20 psig minimum flow pressure. 3.2 Check valve riser tubing for crimping. 3.3 Inspect checkstop strainer for debris – clean. 3.4 Check valve flow control for blockage – clean. 3.5 Inspect bubbler for debris – clean.
<p>PREMATURE WATER SHUTOFF:</p>  	<ol style="list-style-type: none"> 4.1 Check 1/8” O.D. tubing and fittings for leaks. 4.2 Check pushbutton air diaphragm for holes.

Refer to Air-Controlled Valve Maintenance Detail on drawing # 9940-203-001 for -FRA_ Above Ground units and on drawing # 9940-204-001 for Stone & -FRU_ Below Ground units to locate solutions above.

	<p>MURDOCK-SUPER SECUR P.O. Box 3527 Industry, CA 91744 15125 Proctor Ave Industry, CA 91746 Phone: (800) 591-9880 www.murdock-supersecur.com</p>	<p>FRU FREEZE RESISTANT FOUNTAIN VALVE MAINTENANCE INSTRUCTIONS</p>		
<p>TITLE JANUARY 2006 TO PRESENT</p>		<p>MANUFACTURE DATE 10/20/05</p>	<p>DATE ISSUED 03/15/16</p>	<p>DRAWING NUMBER 9940-202-001</p>



**PUSH PAD / PUSH BUTTON BELOW GROUND FREEZE RESISTANT DRINKING FOUNTAINS
NON-METERING AIR-CONTROLLED VALVE - (DIRECT ACTING)**



CHECKSTOP STRAINER - SERVOMOTOR DETAIL

Refer to drawing #9940-202-001 for Valve Maintenance Instructions numbered solutions detailed above.

MURDOCK-SUPER SECUR P.O. Box 3527 Industry, CA 91744 15125 Proctor Ave Industry, CA 91746 Phone: (800) 591-9880 www.murdock-supersecur.com	TITLE NON-METERING FRU AIR-CONTROLLED VALVE MAINTENANCE INSTRUCTIONS		
	MANUFACTURE DATE JANUARY 2006 TO PRESENT	DATE ISSUED 12/07/05 DATE REVISED 03/15/16	DRAWING NUMBER 9940-204-001