

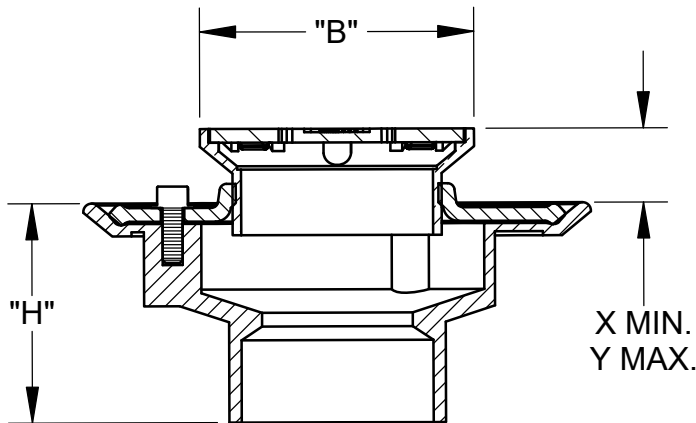
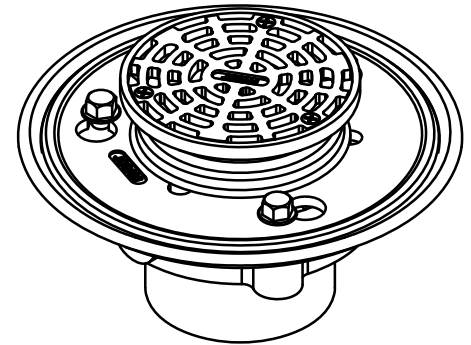
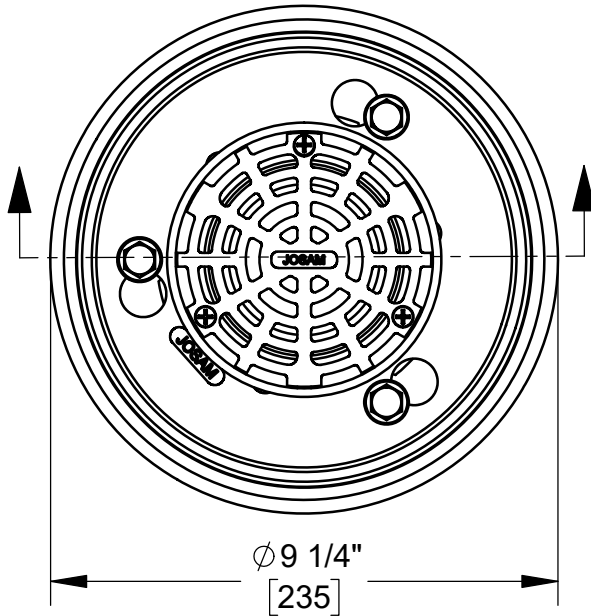
SPECIFICATION:

JOSAM FD-300J-A SERIES FLOOR DRAIN, TWO-PIECE BODY WITH DOUBLE DRAINAGE FLANGE, 1/2" PRIMER TAP WITH PLUG, WEJLOC INVERTIBLE NON-PUNCTURING FLASHING COLLAR WITH WEEPHOLES, SOLVENT-WELD BOTTOM OUTLET FOR SCHEDULE 40 PIPE AND ROUND SUPER-FLO NIKALOY ADJUSTABLE STRAINER.

FLOOR DRAIN

PVC

SERIES **FD-300J-A**



OPTIONS:

-49	3/4" PRIMER TAP
-2	BRONZE ADJUSTABLE STRAINER
-VP	SECURED GRATE
-CP	5A AND 6A ONLY

STRAINER	B	X	Y	FREE AREA
-5A	5	3/4	2-1/8	7.8
-6A	6	1-1/4	2-3/8	11.0
-7A	7	1-1/8	2-7/8	13.2
-8A	8	1-5/8	2-5/8	16.2

PIPE SIZE	H
2"	3-1/4
3"	4
4"	4

DATE OF LAST CHANGE: 06/26/18

DIMENSIONS ARE SUBJECT TO MANUFACTURERS TOLERANCES AND CHANGE WITHOUT NOTICE. WE CAN ASSUME NO RESPONSIBILITY FOR USE OF SUPERSEDED OR VOID DATA.



MICHIGAN CITY, INDIANA

NOTES

WARNING: Cancer and Reproductive Harm - www.P65Warnings.ca.gov