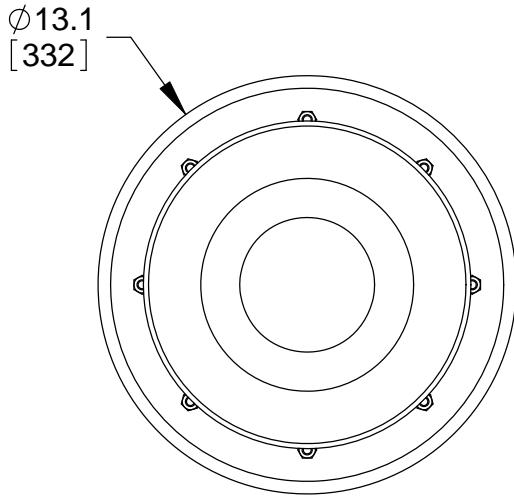


**SPECIFICATION:**

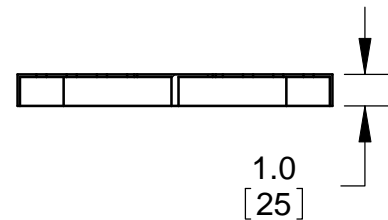
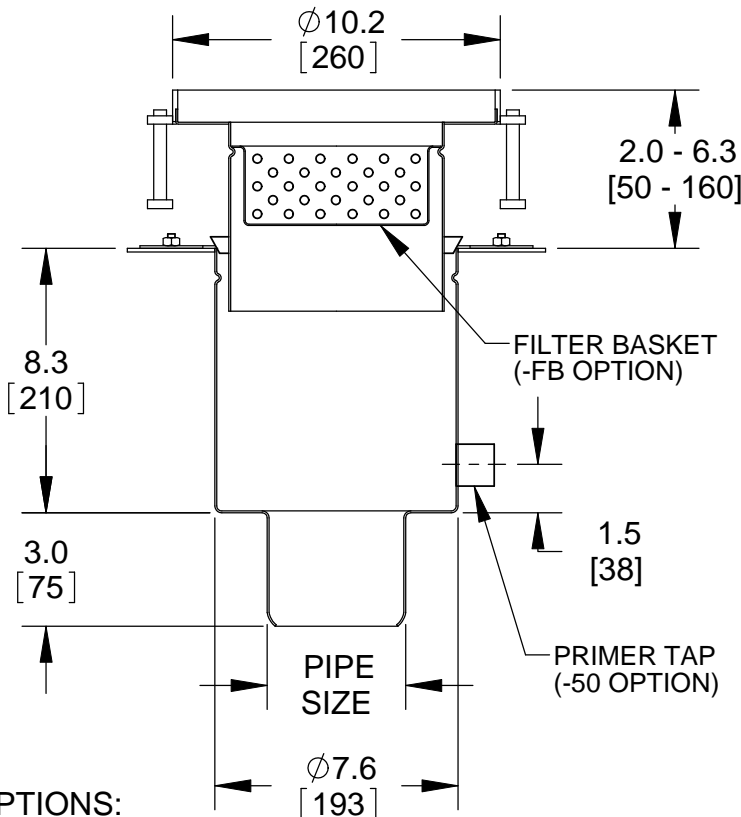
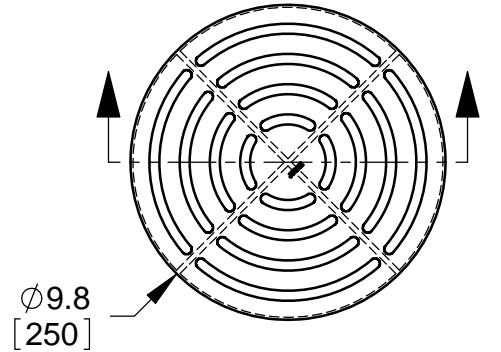
JOSAM SERIES 44570 FABRICATED STAINLESS STEEL (TYPE 304), 10" ROUND TOP, ADJUSTABLE DEPTH, WITH NO-HUB BOTTOM OUTLET, LEVELING FEET, MEMBRANE CLAMP AND PERFORATED SS GRATE (STANDARD).

**SS DRAIN**  
10" ROUND TOP, ADJUSTABLE

SERIES **44570**



**STANDARD GRATE**  
FREE AREA = 19.9 IN<sup>2</sup>  
MEETS ADA AND HEEL-PROOF REQMNTS.



MODEL	PIPE SIZE
44572	2"
44573	3"
44574	4"

**OPTIONS:**

-FB	FILTER BASKET
-SB	SEDIMENT BUCKET
-VP	SECURED GRATE
-SO	SIDE OUTLET
-50	1/2" PRIMER TAP
-T	THREADED OUTLET
-316	TYPE 316L MATERIAL
-BW	BUTT-WELD OUTLET (SPEC. 10, 40, 80)

-NG	NO GRATE
-HG	PERF. HALF GRATE
-3Q	PERF. 3/4 GRATE
-MG	MESH, ANTI-SLIP GRATE
-LG	LADDER GRATE
-SG	PERIMETER SLOT GRATE
-SK	SEALED COVER W/ EYEBOLT KEY
-SV	SEALED COVER W/ VACUUM HNDL

DATE OF LAST CHANGE: 07/14/10

DIMENSIONS ARE SUBJECT TO MANUFACTURERS TOLERANCES AND CHANGE WITHOUT NOTICE. WE CAN ASSUME NO RESPONSIBILITY FOR USE OF SUPERSEDED OR VOID DATA.

**JOSAM COMPANY**  
MICHIGAN CITY, INDIANA

NOTES