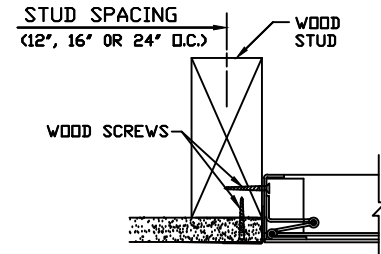


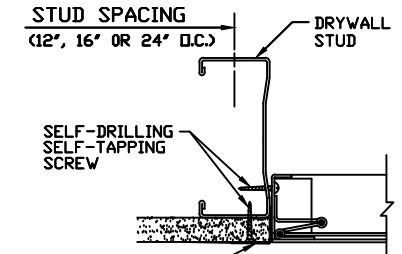
**STANDARD SIZES and PRODUCT NUMBERS**

DOOR SIZE (WxH)	OPENING	PRODUCT NUMBER	No. OF CAMS	No. OF HINGES
8 x 8	8 1/2 x 8 1/2	3203-008	1	1
10 x 10	10 1/2 x 10 1/2	3203-010	1	1
12 x 12	12 1/2 x 12 1/2	3203-012	1	1
14 x 14	14 1/2 x 14 1/2	3203-014	1	2
16 x 16	16 1/2 x 16 1/2	3203-016	1	2
18 x 18	18 1/2 x 18 1/2	3203-017	1	2
22 x 22	22 1/2 x 22 1/2	3203-018	4 *	2
24 x 24	24 1/2 x 24 1/2	3203-019	4 *	2
24 x 36	24 1/2 x 36 1/2	3203-036	5 *	3

\* One cam lock (centered) at top and bottom of panel. Balance of cam locks on side opposite hinge.



**WOOD STUD INSTALLATION DETAIL**



**STEEL STUD INSTALLATION DETAIL**

**POWDER COAT: GREY**

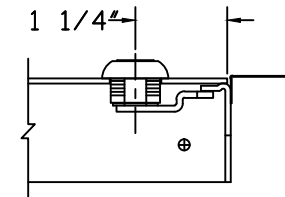
ORDER WILL NOT BE RELEASED FOR FABRICATION UNTIL SIGNED COPY IS RECEIVED.

VERIFICATION AND APPROVAL OF GENERAL ARRANGEMENT AND OVERALL DIMENSIONS OF THIS DOCUMENT ARE REQUIRED BEFORE THE ORDER IS ENTERED FOR MANUFACTURING.

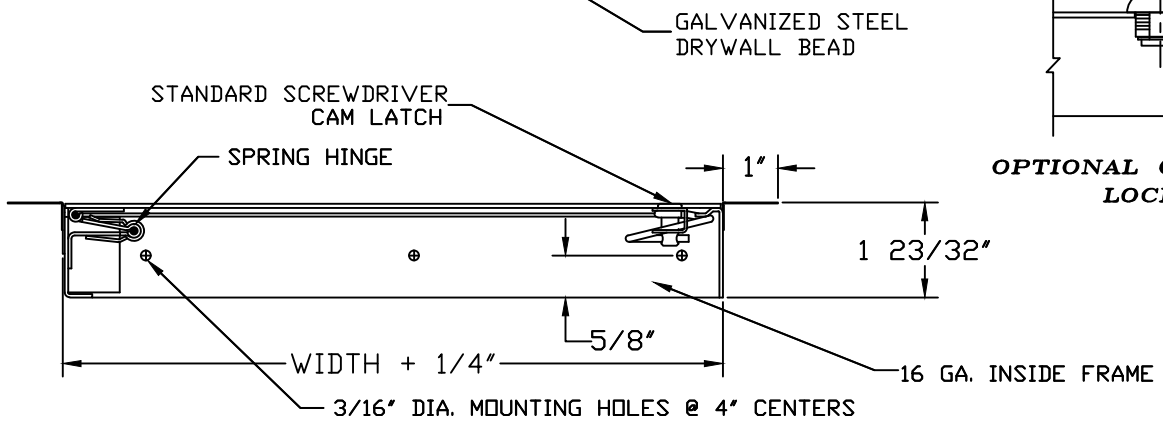
APPROVAL SIGNATURE \_\_\_\_\_

TITLE HELD \_\_\_\_\_

DATE OF APPROVAL \_\_\_\_\_



**OPTIONAL CYLINDER LOCK**



**SECTION VIEW A-A**

**CPG COMMERCIAL PRODUCTS GROUP**

5030 CORPORATE EXCHANGE BLVD, GRAND RAPIDS, MI 49512  
 PH: 800-624-8642 FAX: 855-549-2674 www.milcorinc.com

**MILCOR DW-ACCESS DOOR**

**STANDARD FLUSH DOOR for DRYWALL, CEILINGS or WALLS**

MATERIAL SCHEDULE

PART NO.	SIZE	COVER	FRAME
SUBMITTAL		16 GA.	16 GA.

DATE 7/10/2013 DRAWN JM

REV \_\_\_\_\_ JOB NO. \_\_\_\_\_

SHEET 1 of 1