



JAY R. SMITH MFG. CO.
 MEMBER OF MORRIS GROUP INTERNATIONAL
 POST OFFICE BOX 3237
 MONTGOMERY, ALABAMA 36109-0237 (USA)
 TEL: 334-277-8520 FAX: 334-272-7396 www.jrsmith.com



LOCATION

ADJUSTABLE FIXTURE SUPPORTS

FOR SIPHON JET WATER CLOSETS SHALLOW ROUGH-IN TYPE

NO-HUB HORIZONTAL FITTINGS

SINGLE

Thrust Bearing Nuts And Washers

DOUBLE

Rear Support Lug and -M51 Anchor Foot Assembly with 3/8"(10) Hardware Regularly Furnished

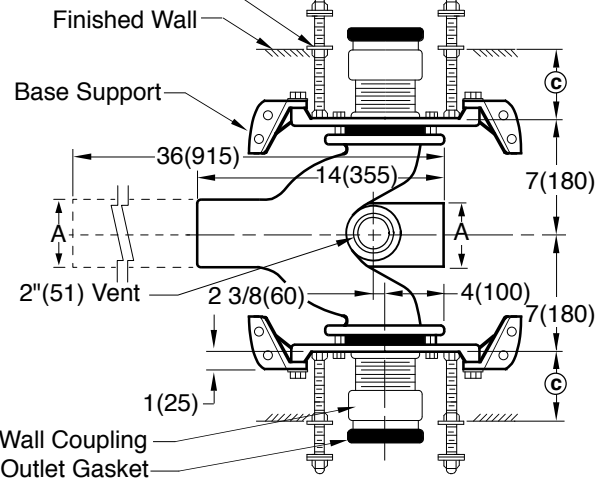
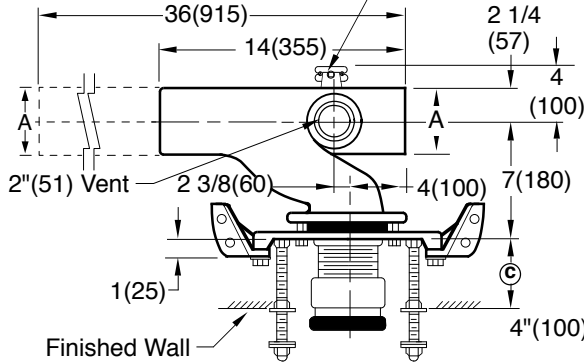
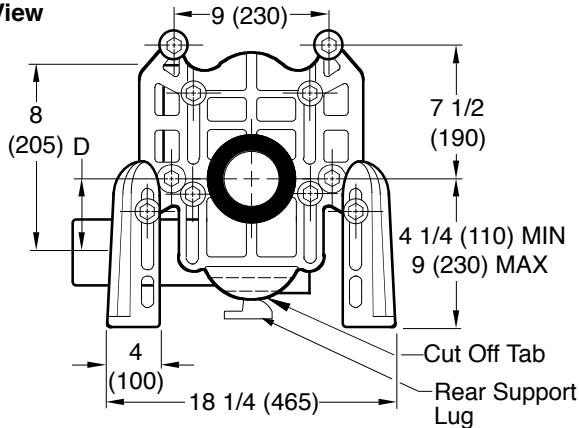


Fig. 0211RY
Top View

Fig. 0211DY
Top View

NOTE: Base support and rear anchor must be securely anchored to floor (with four 1/2"(13) bolts provided by contractor).

NOTE: Dimensions shown in parentheses are in millimeters.



Front View

The water closet gasket regularly furnished is made of molded neoprene and designed to fit water closet outlet dimensions and configurations shown in ANSI Standard A112.19.2M-1995, Figure 13B. If gasket is not found to be compatible to fixture due to nonconformance of said fixture to ANSI A112.19.2M, then fixture manufacturer shall be consulted for a suitable gasket recommendation. Jay R. Smith assumes no liability for connections to fixtures which do not conform to these standards.

- Fig. 0211LY NO-HUB Left Hand
- Fig. 0211RY NO-HUB Right Hand
- Fig. 0211DY NO-HUB Double
- Fig. 0221LY NO-HUB Left Hand Long Barrel
- Fig. 0221RY NO-HUB Right Hand Long Barrel
- Fig. 0221DY NO-HUB Double Long Barrel

A SIZE	D	
	MIN	MAX
4 (100)	5/8 (16)	3 3/8 (86)

© dimension = 4" (100) (regularly furnished) consisting of nipple and Adjust-to-Wall coupling permitting adjustment from 3" (76) min. to 4" (100) max.

DRAWING NUMBER
S0211Y, 0221Y

SIZE
A

SCALE:
NONE

DATE:
5-3-13

APPROVED BY:
TWK

CHECKED BY:
TK

DRAWN BY:
TBW

0211Y, 0221Y

WE CAN ASSUME NO RESPONSIBILITY FOR USE OF SUPERSEDED OR VOID DATA
DIMENSIONS ARE SUBJECT TO MANUFACTURERS TOLERANCE AND CHANGE WITHOUT NOTICE

B	9-21-15	Rev. Callout, Note, Drawing	TBW	CL
A	12-5-14	Added 0221Y	TBW	CR
REV.	DATE	DESCRIPTION	BY	CKD. BY

WEIGHT POUNDS	VOLUME CUBIC FEET

FIGURE NUMBER
0211Y, 0221Y