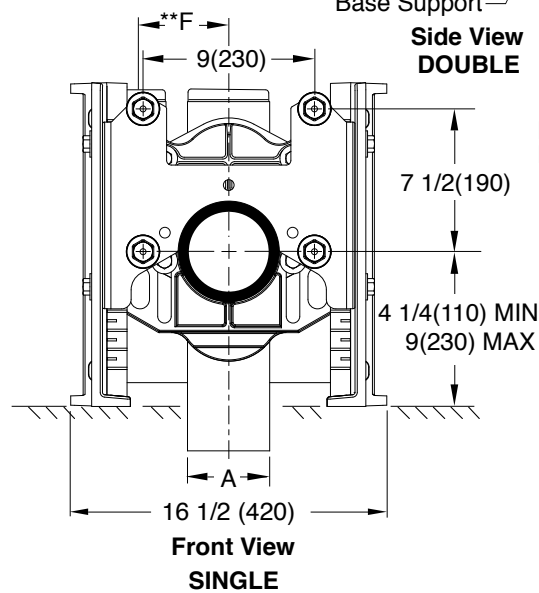
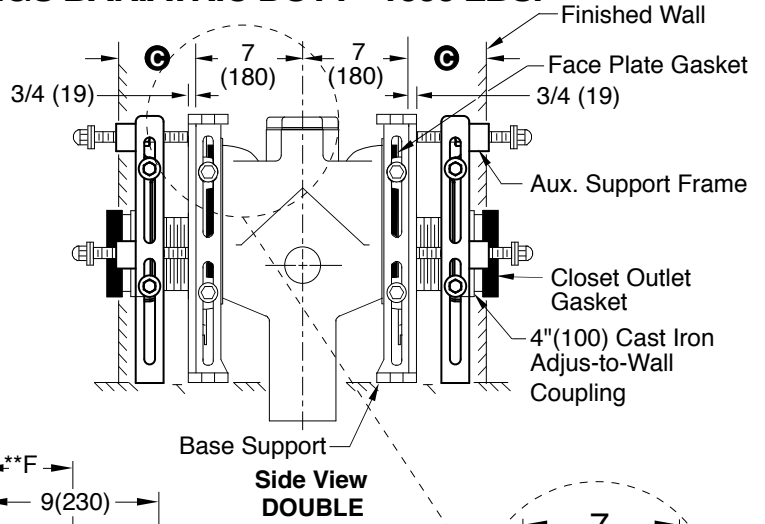
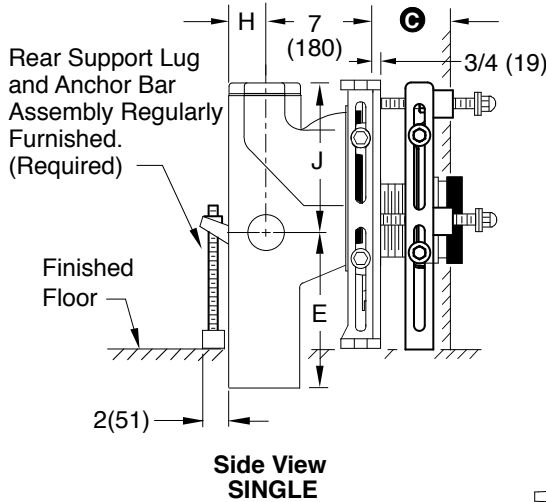




LOCATION

ADJUSTABLE FIXTURE SUPPORTS FOR SIPHON JET WATER CLOSETS

NO-HUB VERTICAL FITTINGS BARIATRIC DUTY - 1000 LBS.



A SIZE	E	**F	H	J
4(100)	14(355)	5 1/4(135)	2 1/4(57)	9(230)
5(125)	11 1/2(290)	6 1/4(160)	2 3/4(70)	11 1/2(290)
6(150)	11 1/2(290)	6 1/4(160)	3 1/4(83)	11 1/2(290)

NOTE: Base support must be securely anchored to floor with 1/2" (13) anchors able to withstand a pull-out force of 500 lbs (227 kg). The rear anchor bar must be securely anchored to floor with 1/2" (13) anchors able to withstand a pull-out force of 1000 lbs (454 kg). Pull-out forces are calculated values, no safety factor has been applied.

NOTE: Dimensions shown in parentheses are in millimeters.

NOTE: When used with concealed flush valve locate face plate behind supply pipe.

NOTE: Shallower minimum rough-in dimension available to accommodate lower rough bowls. Specify dimension required.

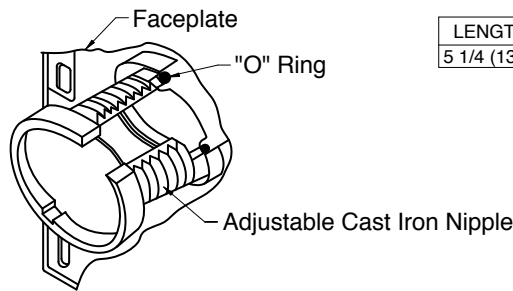
NOTE: 1 1/2(38) or 2(51) NPT inlet available. Add suffix -N.

***NOTE:** 9"(230) core drilled hole is required for rough-in 4 1/4(110) thru 6 1/2(165).

****NOTE:** "F" dimension is from centerline of vent to centerline of stack.

- Fig. 0230Y-M58-M54-XK. . .NO-HUB
- Fig. 0230DY-M58-M54-XK. . .NO-HUB DOUBLE

Jay R. Smith 0230Y-M58-M54-XK complies with and/or exceeds all requirements of ASME A112.6.1M up to 1000 lbs.



LENGTH	MIN.	MAX.
5 1/4 (135)	4 1/4"(110)	4 3/4"(120)

E
 DRAWING NUMBER
 S0230Y-M58-M54-XK
 SIZE
 A
 SCALE:
 NONE
 DATE:
 10/08/07
 APPROVED BY:
 CL
 CHECKED BY:
 CL
 DRAWN BY:
 JJ
 0230Y-M58-M54-XK
 FIGURE NUMBER

WE CAN ASSUME NO RESPONSIBILITY FOR USE OF SUPERSEDED OR VOID DATA
 DIMENSIONS ARE SUBJECT TO MANUFACTURERS TOLERANCE AND CHANGE WITHOUT NOTICE

REV.	DATE	DESCRIPTION	BY	CKD. BY
E	11/20/09	3/4 (19) was 1/2 (13)	JJ	CL
D	10/08/08	Corrected Support Views	JJ	CL
C	5-13-08	Revised Note	TBW	CL

WEIGHT POUNDS	VOLUME CUBIC FEET	FIGURE NUMBER
		0230Y-M58-M54-XK

DRAWING NUMBER
S0230Y-M58-M54-XK-BS

SIZE
A

SCALE:
NONE

DATE:
6-12-08

APPROVED BY:
CL

CHECKED BY:
CL

DRAWN BY:
WAS

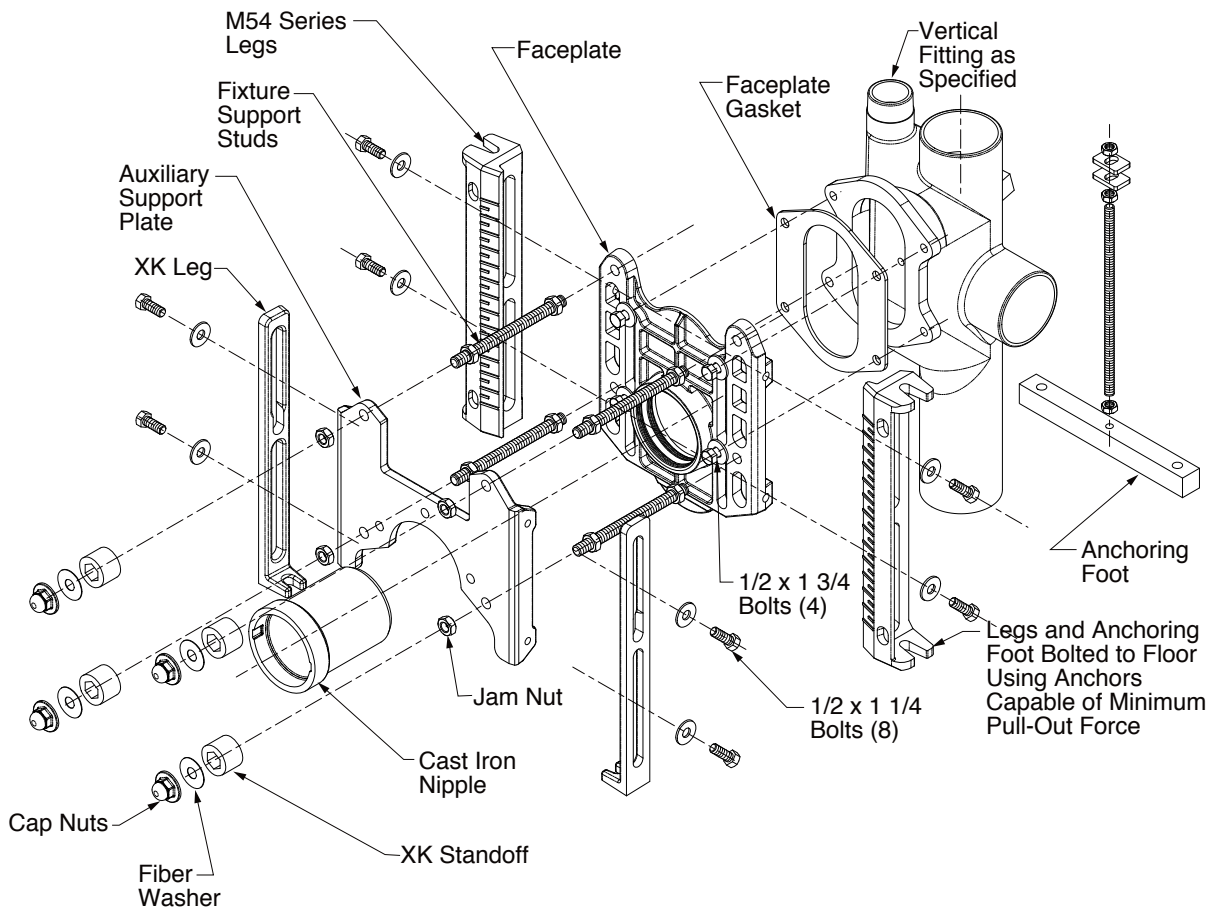
**0230Y-M58-M54-XK
 BACK SHEET**

WE CAN ASSUME NO RESPONSIBILITY FOR USE OF SUPERSEDED OR VOID DATA

DIMENSIONS ARE SUBJECT TO MANUFACTURERS TOLERANCE AND CHANGE WITHOUT NOTICE

ADJUSTABLE FIXTURE SUPPORTS FOR SIPHON JET WATER CLOSETS

NO-HUB VERTICAL FITTINGS BARIATRIC DUTY - 1000 LBS.



REV.	DATE	DESCRIPTION	BY	CKD. BY	WEIGHT POUNDS	VOLUME CUBIC FEET	FIGURE NUMBER 0230Y -M58-M54-XK-BS