

ADJUSTABLE FIXTURE SUPPORTS SHALLOW ROUGH-IN

NO-HUB VERTICAL FITTINGS WITH SIDE INLET BARIATRIC DUTY - 1000 LBS.

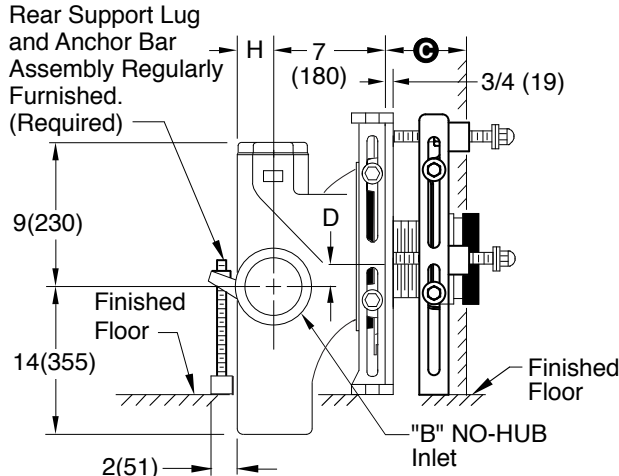


Fig. 0240LY-M58-M54-XK
Side View
SINGLE

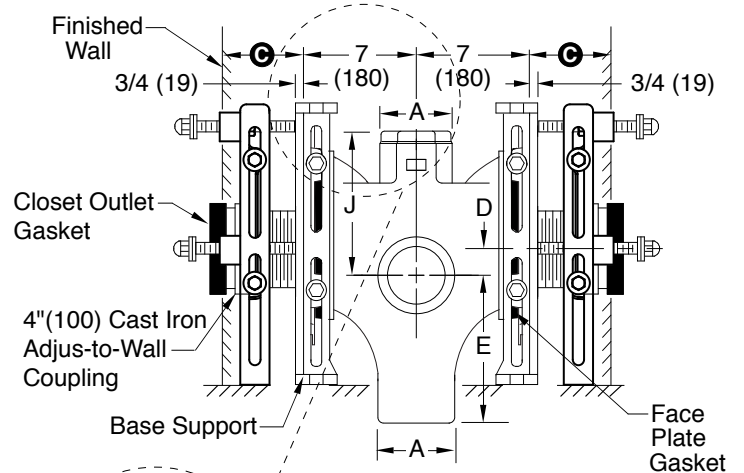
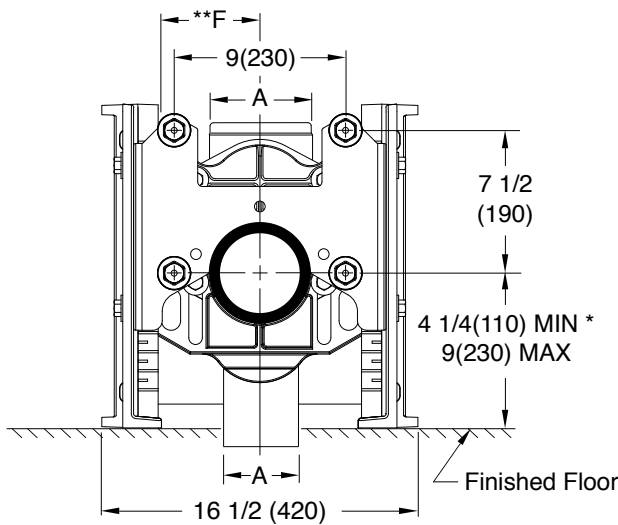
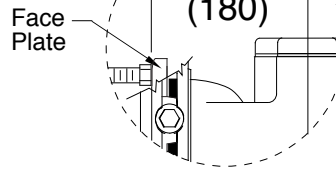


Fig. 0240DY-M58-M54-XK
Side View



Front View
SINGLE

- Fig. 0240LY-M58-M54-XK . . . NO-HUB L.H. Inlet
- Fig. 0240RY-M58-M54-XK . . . NO-HUB R.H. Inlet
- Fig. 0240DY-M58-M54-XK . . . NO-HUB Double Inlet

Jay R. Smith 0240Y-M58-M54-XK complies with and/or exceeds all requirements of ASME A112.6.1M up to 1000 lbs.

A x B SIZE	D		E	**F	H	J
	MIN	MAX				
4(100) x 4(100)	1 1/2(38)	4 1/4(110)	14(355)	5 1/4(135)	2 1/4(57)	9(230)
5(125) x 4(100)	1 1/2(38)	4 1/4(110)	11 1/2(290)	6 1/2(165)	2 3/4(70)	11 1/2(290)
5(125) x 5(125)	1 1/2(38)	4 1/4(110)	11 1/2(290)	6 1/2(165)	2 3/4(70)	11 1/2(290)
6(150) x 4(100)	1 1/2(38)	4 1/4(110)	11 1/2(290)	6 1/4(160)	3 1/4(83)	11 1/2(290)
6(150) x 5(125)	1 1/2(38)	4 1/2(115)	11 1/2(290)	6 1/4(160)	3 1/4(83)	11 1/2(290)

NOTE: Base support must be securely anchored to floor with 1/2" (13) anchors able to withstand a pull-out force of 500 lbs (227 kg). The rear anchor bar must be securely anchored to floor with 1/2" (13) anchors able to withstand a pull-out force of 1000 lbs (454 kg). Pull-out forces are calculated values, no safety factor has been applied.

NOTE: Shallower minimum rough-in dimension to accommodate lower rough bowls available. Specify dimension required.

NOTE: 1 1/2"(38) or 2"(51) tapped inlet available. Add suffix -N.

NOTE: *9"(230) core drilled hole is required for rough-in 4 1/4(110) thru 6 1/2(165).

⊙ Dimension = 4 1/4"(110) - 4 3/4"(120) with regularly furnished 5 1/4"(135) cast iron nipple.

NOTE: Dimensions shown in parentheses are in millimeters.

** dimension is from centerline of vent to centerline of stack.

DRAWING NUMBER: S0240Y-M58-M54-XK
SCALE: NONE
DATE: 10/10/07
APPROVED BY: CL
CHECKED BY: CL
DRAWN BY: JJ
FIGURE NUMBER: 0240Y-M58-M54-XK

WE CAN ASSUME NO RESPONSIBILITY FOR USE OF SUPERSEDED OR VOID DATA
DIMENSIONS ARE SUBJECT TO MANUFACTURERS TOLERANCE AND CHANGE WITHOUT NOTICE

REV.	DATE	DESCRIPTION	BY	CKD. BY	WEIGHT POUNDS	VOLUME CUBIC FEET	FIGURE NUMBER
	11/20/09	3/4 (19) was 1/2 (13)	JJ	CL			0240Y-M58-M54-XK
	10/08/08	Corrected Support Views	JJ	CL			
	5-13-08	Revised Note	TBW	CL			
	04/08/08	Revised "C" dimension	JJ	CL			



JAY R. SMITH MFG. CO.
 MEMBER OF MORRIS GROUP INTERNATIONAL
 POST OFFICE BOX 3237
 MONTGOMERY, ALABAMA 36109-0237 (USA)
 TEL: 334-277-8520 FAX: 334-272-7396 www.jrsmith.com



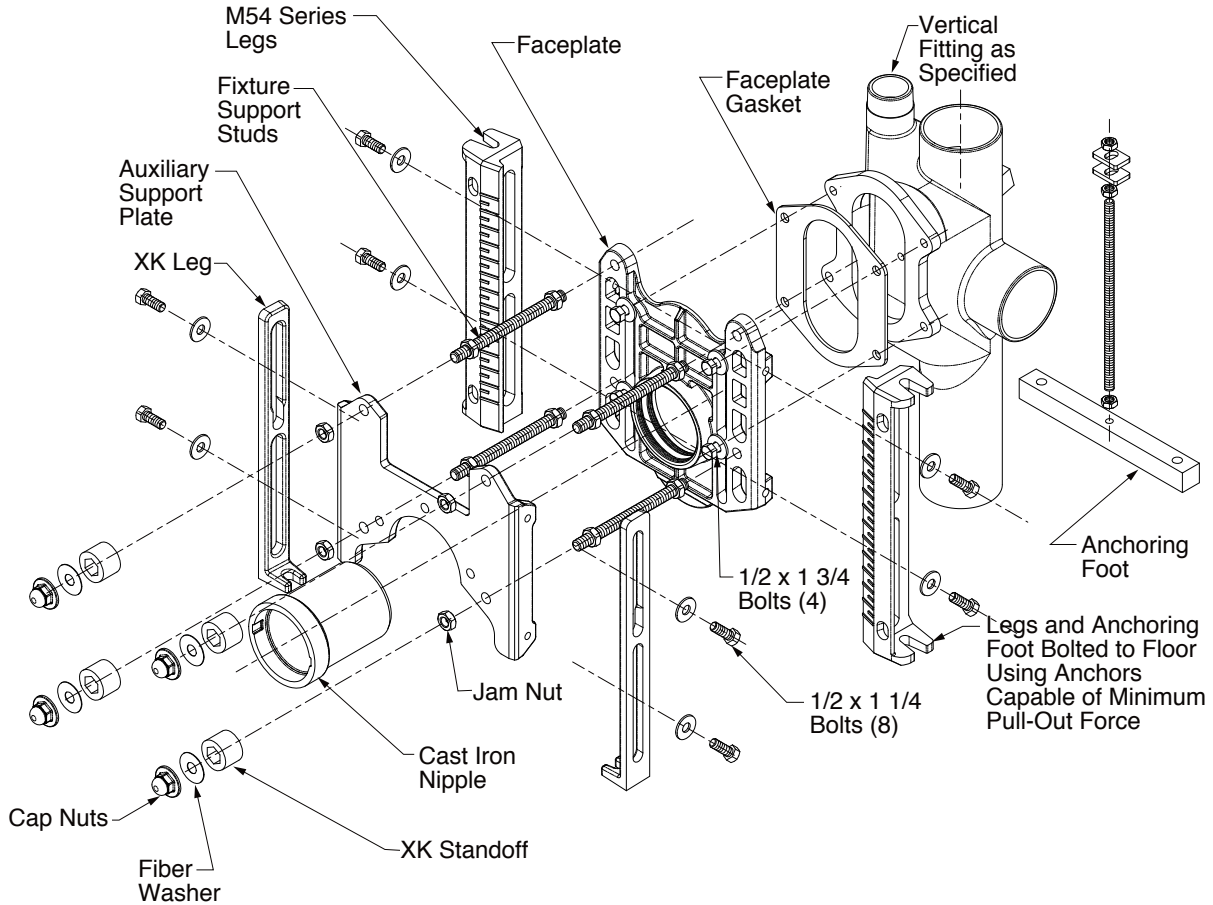
MEMBER OF:



LOCATION

ADJUSTABLE FIXTURE SUPPORTS SHALLOW ROUGH-IN

NO-HUB VERTICAL FITTINGS WITH SIDE INLET BARIATRIC DUTY - 1000 LBS.



DRAWING NUMBER
S0240Y-M58-M54-XK-BS

SIZE
A

SCALE:
NONE

DATE:
6-12-08

APPROVED BY:
CL

CHECKED BY:
CL

DRAWN BY:
WAS

0240Y-M58-M54-XK
BACK SHEET

FIGURE NUMBER

WE CAN ASSUME NO RESPONSIBILITY FOR USE OF SUPERSEDED OR VOID DATA

DIMENSIONS ARE SUBJECT TO MANUFACTURERS TOLERANCE AND CHANGE WITHOUT NOTICE

REV.	DATE	DESCRIPTION	BY	CKD. BY

WEIGHT
POUNDS

VOLUME
CUBIC FEET

FIGURE NUMBER
0240Y
-M58-M54-XK-BS



WARNING: Cancer and Reproductive Harm - www.P65Warnings.ca.gov