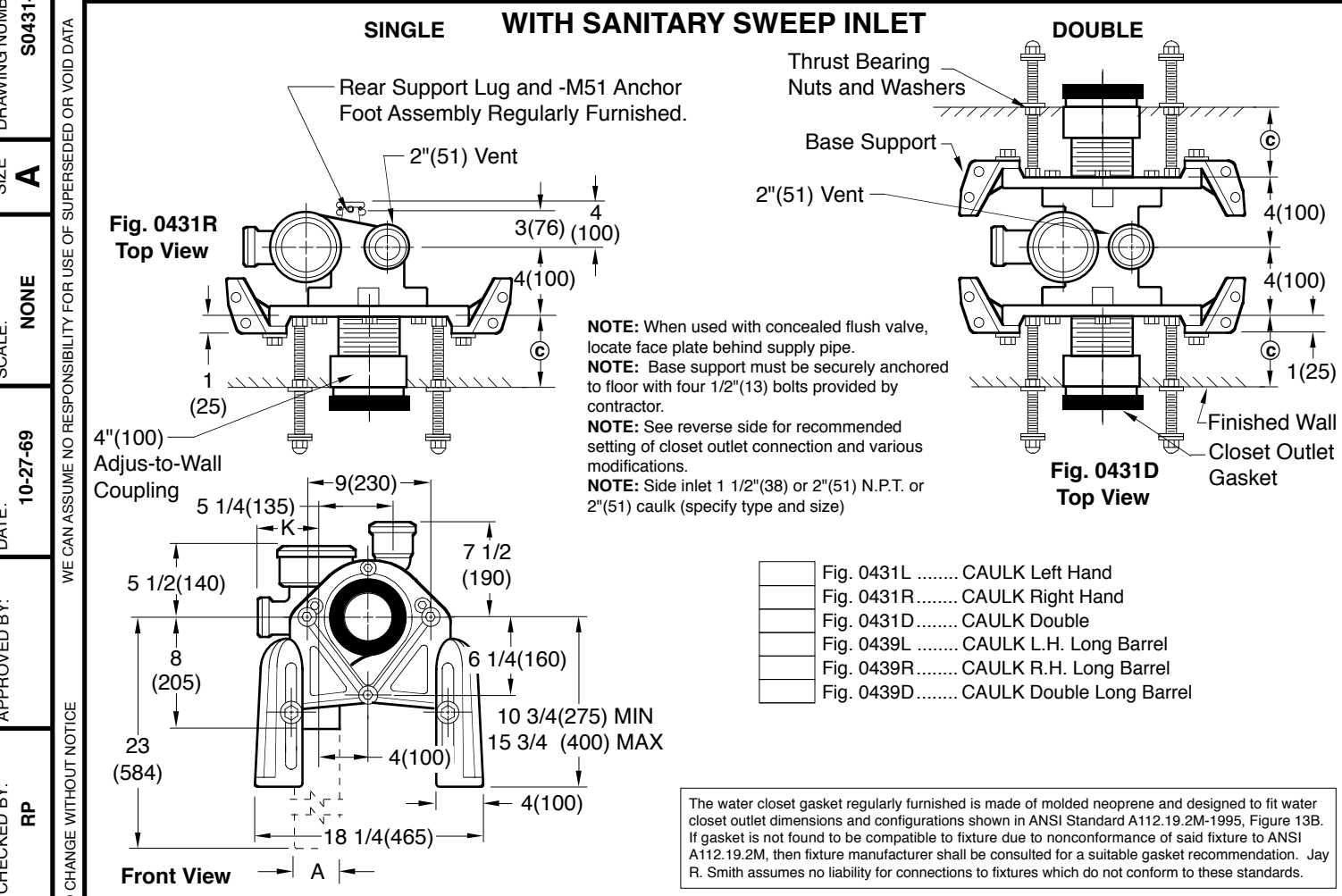


# COMPACT FIXTURE SUPPORTS

## WITH VERTICAL OFFSET FITTINGS FOR BLOWOUT WATER CLOSETS



**© DIMENSION - ADJUS-TO-WALL TYPE OUTLET CONNECTION**

The Smith Adjus-to-Wall outlet connection provides adjustment at the face of the wall at the time the fixture is set; thus, compensating for wall construction variations. The © dimension is measured from the front of the face plate to the finished wall. To properly determine the length of nipple required, deduct 1" (25) from the © dimension. The Adjus-to-Wall coupling will provide 1/2" (13) horizontal adjustment in either direction with the coupling extended 5/16" (8) past face of the finished wall.

© dimension = 4" (100) (regularly furnished) consisting of nipple and Adjus-to-Wall coupling permitting adjustment from 3" (76) min. to 4" (100) max.

**NOTE:** Dimensions shown in parentheses are in millimeters.

**\*ABS (Regularly Furnished) other lengths PVC.**

REV.	DATE	DESCRIPTION	BY	CKD. BY	WEIGHT POUNDS	VOLUME CUBIC FEET	FIGURE NUMBER
							<b>0431-0439</b>

DRAWING NUMBER: S0431-0439

SIZE: A

SCALE: NONE

DATE: 10-27-69

APPROVED BY: RP

CHECKED BY: RP

DRAWN BY: RVB

FIGURE NUMBER: 0431-0439

WE CAN ASSUME NO RESPONSIBILITY FOR USE OF SUPERSEDED OR VOID DATA

DIMENSIONS ARE SUBJECT TO MANUFACTURERS TOLERANCE AND CHANGE WITHOUT NOTICE

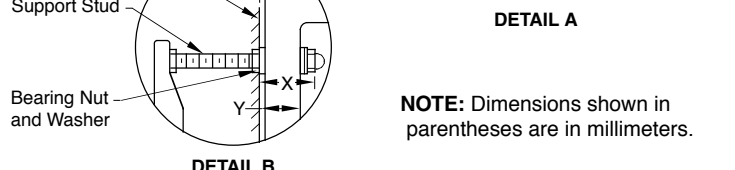
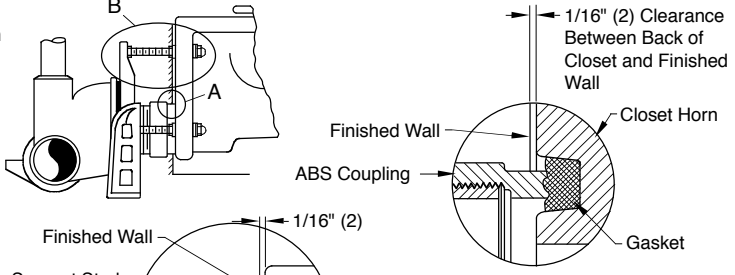
# MODIFICATIONS & VARIATIONS FOR SIPHON JET WATER CLOSETS

## RECOMMENDED SETTING OF CLOSET OUTLET CONNECTION AND FIXTURE STUDS

Manufacturers have slight differences in the depth of the closet horn and flange thickness of their closets. Usually the fixture support closet connection should extend 5/16" (8) beyond face of finished wall (Dimension "R") and the fixture studs 2 1/4" (57) (Dimension "X"). For exact dimensions please use the formulas below.

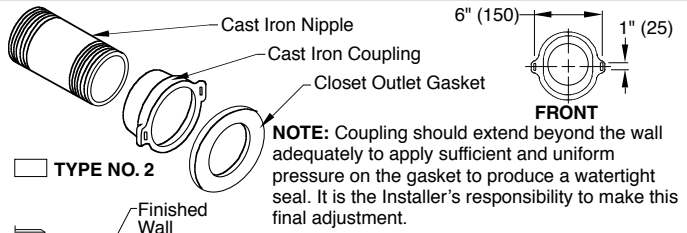
**DETAIL A** Formula for "R" is:  $S + 1/16" (2) - D = R$ .  
 S = Depth of closet horn  
 1/16" (2) = Distance closet is to set away from finished wall.  
 D = 1/2" (13) for felt gasket and 3/8" (10) for neoprene gasket.  
 R = Distance coupling should extend beyond finished wall.  
 NOTE: When the fixture is installed, closet gasket must be compressed sufficiently to assure a gas and water-tight seal.

**DETAIL B** Formula for "X" is:  $Y + 1/16" (2) + 9/16" (14) = X$ .  
 Y = Thickness of closet wall flange.  
 1/16" (2) = Distance closet is to set away from finished wall.  
 X = Distance supporting stud should extend beyond finished wall.  
 NOTE: Bearing nuts and washers must be set to take full loading from the fixture allowing 1/16" (2) clearance between fixture and wall.

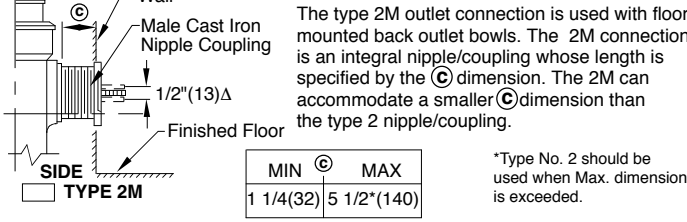


**NOTE:** Dimensions shown in parentheses are in millimeters.

## OPTIONAL CLOSET OUTLET CONNECTIONS

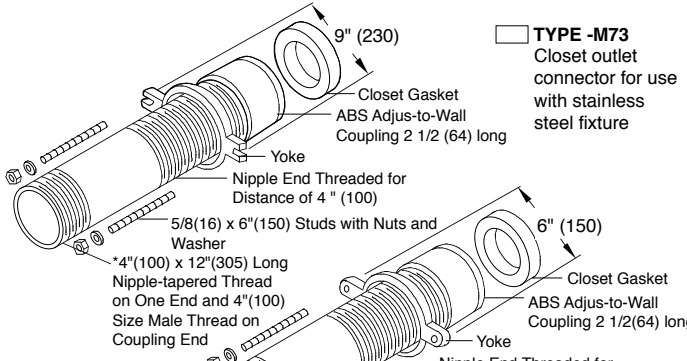


**NOTE:** Coupling should extend beyond the wall adequately to apply sufficient and uniform pressure on the gasket to produce a watertight seal. It is the Installer's responsibility to make this final adjustment.

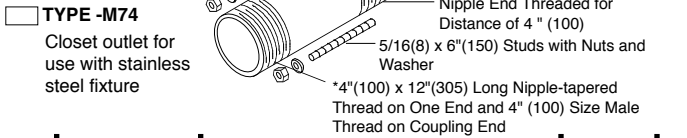


	MIN	Ⓞ	MAX
TYPE 2M	1 1/4" (32)	5 1/2" (140)	

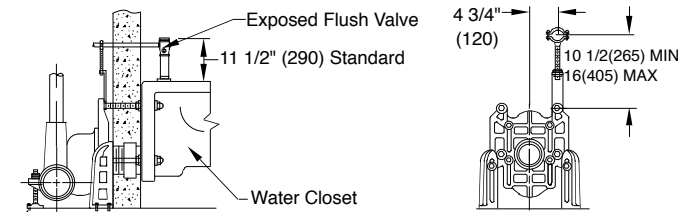
**NOTE:** The 4" (100) adjustable coupling is provided with vertical slotted ears which permit a 1/2" (13) adjustment up or down for variation in finished floor height.



**TYPE -M73** Closet outlet connector for use with stainless steel fixture

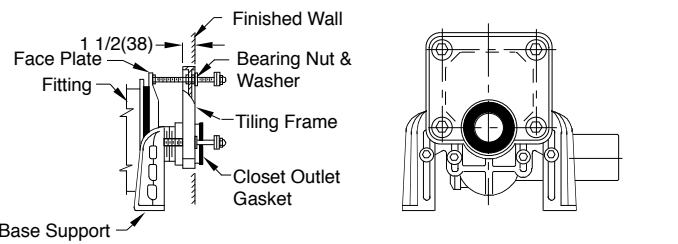


**TYPE -M74** Closet outlet for use with stainless steel fixture



Provides support and alignment for the supply pipe to an exposed flush valve; must be specified for either 1" (25) copper tube or 1" (25) iron pipe.

**SUFFIX -M12 EXPOSED FLUSH VALVE SUPPLY SUPPORT**



**SUFFIX -M13 TILING FRAME - POLYSTYRENE**

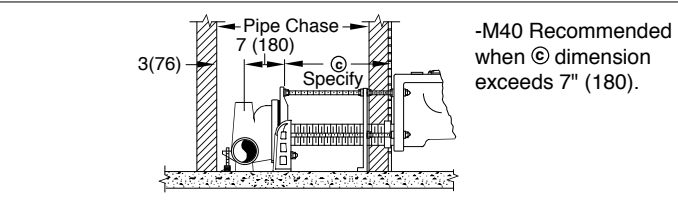


Illustration shows single installation. For double (back to back) installations specify whether -M40 variation is required on one side or both sides of pipe chase. When ordering, the pipe chase width and Ⓞ dimension should also be specified.

**-M40 WATER CLOSET SUPPORT FOR WIDE PIPE CHASE**

DRAWING NUMBER: S0100BS  
 SIZE: A  
 SCALE: NONE  
 DATE: 1-16-85  
 APPROVED BY: JD  
 CHECKED BY: CR  
 DRAWN BY: VGD  
 100/400 Series Back Sheet

WE CAN ASSUME NO RESPONSIBILITY FOR USE OF SUPERSEDED OR VOID DATA  
 DIMENSIONS ARE SUBJECT TO MANUFACTURERS TOLERANCE AND CHANGE WITHOUT NOTICE

REV.	DATE	DESCRIPTION	BY	CKD. BY	WEIGHT POUNDS	VOLUME CUBIC FEET	FIGURE NUMBER
D C B	2-27-12 12-10-03 2-26-96	Rev. Note Type 2 outlet Added Note Added Millimeters	TBW RN EMB	AM CL BS			100/400 Series Back Sheet