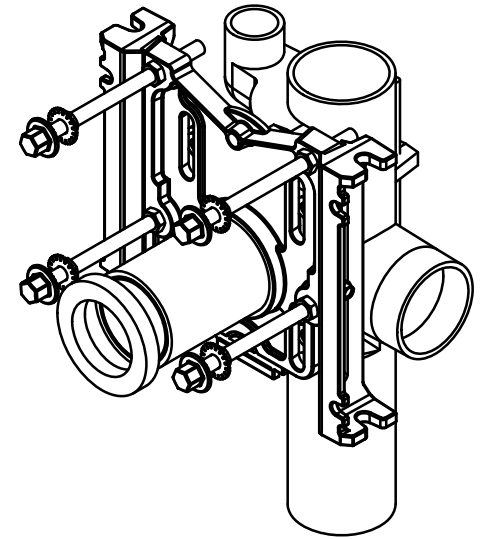
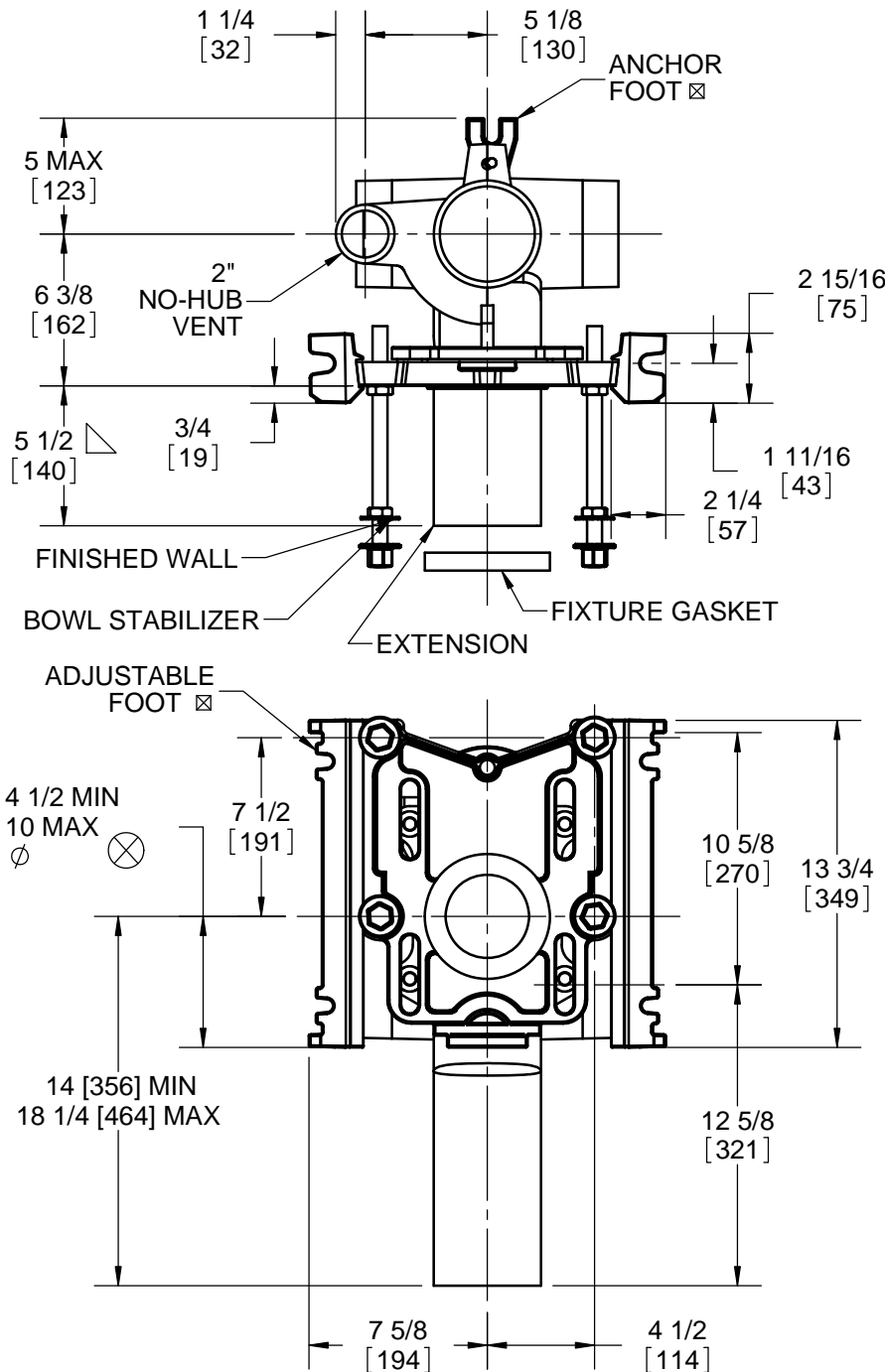


SPECIFICATION:

JOSAM 12704-D4 SERIES COATED CAST IRON SINGLE VERTICAL 4" NO-HUB FITTING WITH 4" NO-HUB BRANCH INLETS AND 2" NO-HUB LEFT-HAND OFFSET VENT. ADJUSTABLE CARRIER BODY, INVERTIBLE FOR SIPHON JET OR BLOWOUT CLOSETS, WITH ABS EXTENSION WITH INTEGRAL TEST CAP, PYLON FEET, ANCHOR FOOT, PLATED HARDWARE AND NEOPRENE FIXTURE GASKET.

**CLOSET CARRIER
VERTICAL W/ LEFT HAND VENT**

SERIES **12704-D4**



△ FOR DIMENSION SHORTER THAN 5-1/2" (1" MIN) CUT EXTENSION, FOR LONGER EXTENSION (10-1/2" MAX) SPECIFY (-10)

☒ RECOMMEND FEET BE SECURED TO FLOOR WITH 1/2" BOLTS AND ANCHORS (BY OTHERS).

⊗ FOR SIPHON JET ROUGHING OVER 6" OR BLOWOUT ROUGHING OVER 12-1/2" SPECIFY ON ORDER.

SIPHON JET DIMS SHOWN. FOR BLOWOUT DIMS, USE: Ø MIN 11 & MAX 16-1/2"

	-PF	PYLON FOOT, STD.
	-OR	O-RING CARRIER
	-SD	SPECIAL-DUTY 500 LB. CARRIER
	-HS	HUB & SPIGOT
X	-D4	DOUBLE 4" NO-HUB BRANCHES
	-VP	VANDAL-PROOF TRIM
	-1	POSITIONING FRAME

	-6	SUPPLY PIPE SUPPORT (SPECIFY TYPE OF PIPE)
	-10	ABS EXTENSION THROUGH 10-1/2" WALL
	-24	FLOOR MOUNTED BACK OUTLET CHINA BOWL
	-30	CAST IRON ADJ. EXTENSION W/ CONNECTOR
	-30-2	CAST IRON ADJ. EXTENSION W/ CONNECTOR & TEST CAP
	-32	CARRIER FOR WIDE CHASE INSTALLATIONS
	-35	CARRIER FOR WHEELCHAIR HIGH ROUGH

DATE OF LAST CHANGE: 5/30/18

DIMENSIONS ARE SUBJECT TO MANUFACTURERS TOLERANCES AND CHANGE WITHOUT NOTICE. WE CAN ASSUME NO RESPONSIBILITY FOR USE OF SUPERSEDED OR VOID DATA.

JOSAM

MICHIGAN CITY, INDIANA

NOTES

WARNING: Cancer and Reproductive Harm - www.P65Warnings.ca.gov