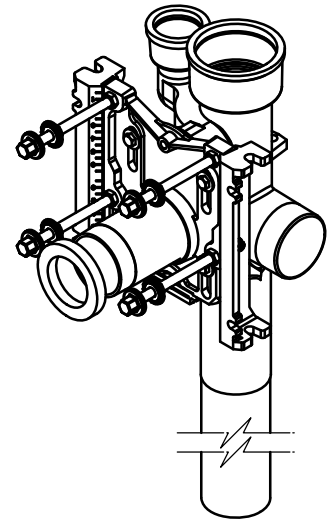
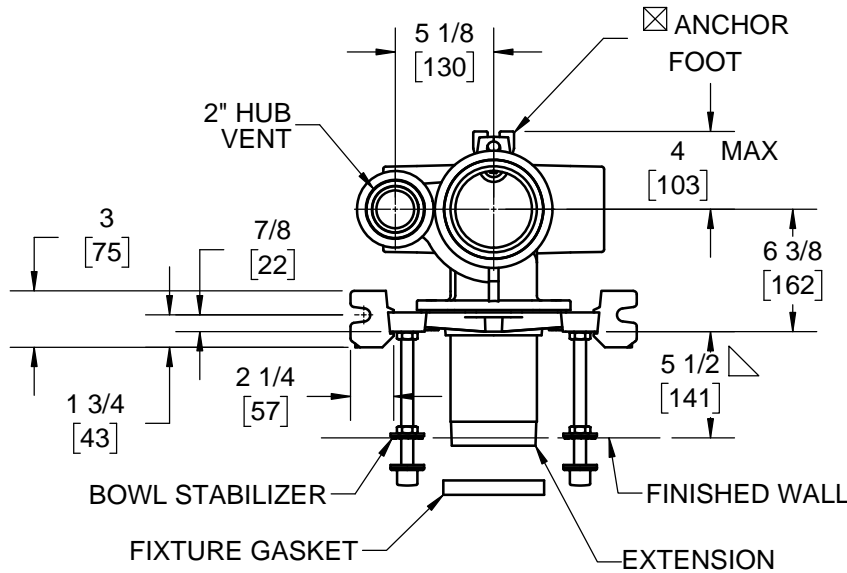


SPECIFICATION:

JOSAM 12704-HS-58 SERIES COATED CAST IRON SINGLE VERTICAL 4" HUB & SPIGOT LONG BARREL FITTING WITH 2" HUB & SPIGOT LEFT-HAND OFFSET VENT. ADJUSTABLE CARRIER BODY, INVERTIBLE FOR SIPHON JET OR BLOWOUT CLOSETS, WITH ABS EXTENSION WITH INTEGRAL TEST CAP, PYLON FEET, ANCHOR FOOT, PLATED HARDWARE AND NEOPRENE FIXTURE GASKET.

**CLOSET CARRIER
VERTICAL WITH LEFT HAND
VENT AND LONG BARREL**

SERIES **12704-HS-58**



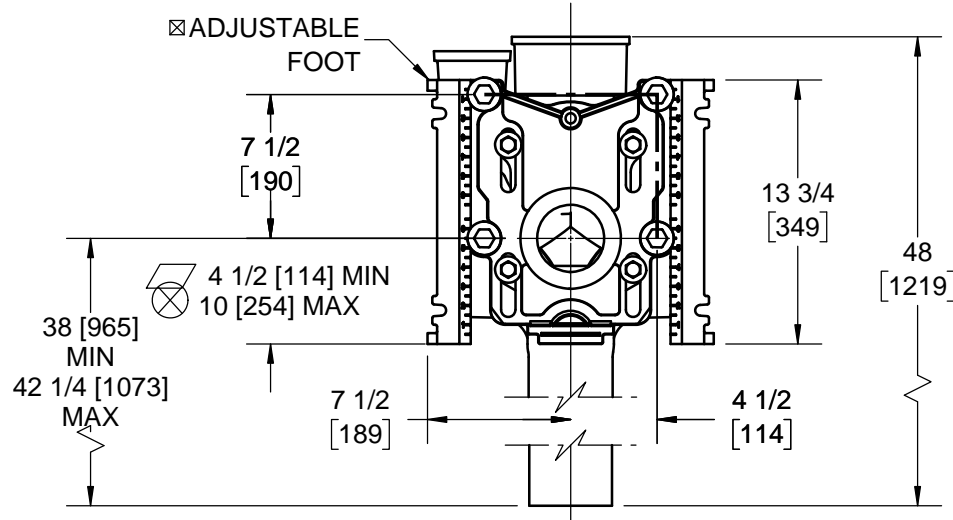
△ FOR DIMENSION SHORTER THAN 5-1/2" (1" MIN) CUT EXTENSION. FOR LONGER EXTENSION (10-1/2" MAX) SPECIFY (-10)

⊠ RECOMMEND FEET BE SECURED TO FLOOR WITH 1/2" BOLTS AND ANCHORS (BY OTHERS).

⊗ FOR SIPHON JET ROUGHING OVER 6" OR BLOWOUT ROUGHING OVER 12-1/2" SPECIFY ON ORDER.

SIPHON JET DIMS SHOWN. FOR BLOWOUT DIMS, USE:

▱ MIN 11 & MAX 16-1/2



	-XSD	EXTRA SPECIAL-DUTY 1,000 LB CARRIER		-6	SUPPLY PIPE SUPPORT (SPECIFY TYPE OF PIPE)
	-PF	PYLON FOOT, STD.		-10	ABS EXTENSION THROUGH 10-1/2" WALL
	-OR	O-RING CARRIER		-24	FLOOR MOUNTED BACK OUTLET CHINA BOWL
	-SD	SPECIAL-DUTY 500 LB. CARRIER		-30	CAST IRON ADJ. EXTENSION W/ CONNECTOR
X	-HS	HUB & SPIGOT		-30-2	CAST IRON ADJ. EXTENSION W/ CONNECTOR & TEST CAP
	-LH4	LEFT-HAND 4" NO-HUB BRANCH		-32	CARRIER FOR WIDE CHASE INSTALLATIONS
	-HLH4	LEFT-HAND 4" HUB BRANCH		-35	CARRIER FOR WHEELCHAIR HIGH ROUGH
	-RH4	RIGHT-HAND 4" NO-HUB BRANCH		-49	2" NO-HUB AUXILIARY INLET, UNDER VENT
	-HRH4	RIGHT-HAND 4" HUB BRANCH		-50	2" NO-HUB AUXILIARY INLET, OPPOSITE VENT
	-D4	DOUBLE 4" NO-HUB BRANCHES		-53	2" THREADED AUXILIARY INLET, UNDER VENT
	-HD4	DOUBLE 4" HUB BRANCHES		-54	2" THREADED AUXILIARY INLET, OPPOSITE VENT
	-VP	VANDAL-PROOF TRIM			
	-1	POSITIONING FRAME	X	-58	LONG BARREL (24")

DATE OF LAST CHANGE: 5/30/18

DIMENSIONS ARE SUBJECT TO MANUFACTURERS TOLERANCES AND CHANGE WITHOUT NOTICE. WE CAN ASSUME NO RESPONSIBILITY FOR USE OF SUPERSEDED OR VOID DATA.

JOSAM
MICHIGAN CITY, INDIANA

NOTES

WARNING: Cancer and Reproductive Harm - www.P65Warnings.ca.gov