



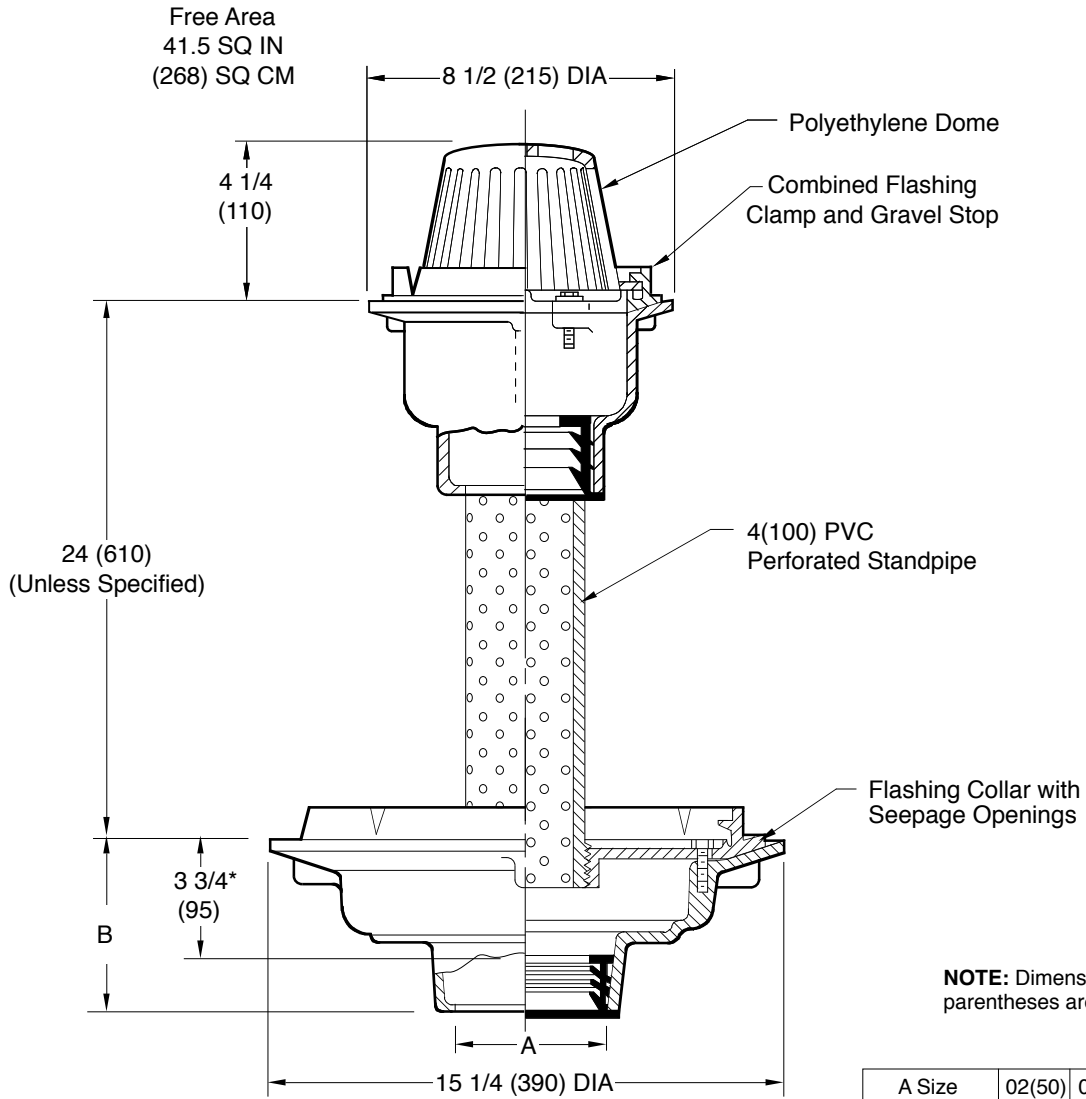
JAY R. SMITH MFG. CO.
 MEMBER OF MORRIS GROUP INTERNATIONAL
 POST OFFICE BOX 3237
 MONTGOMERY, ALABAMA 36109-0237 (USA)
 TEL: 334-277-8520 FAX: 334-272-7396 www.jrsmith.com



MEMBER OF:

LOCATION

PLANTING AREA DRAINS



NOTE: Dimensions shown in parentheses are in millimeters.

* This Dimension to Internal Stop of Speedi-Set Gasket.

Fig. 1909C CAULK OUTLET
 Fig. 1909Y NO-HUB OUTLET

A Size	02(50)	03(75)	04(100)
B	5(125) for Caulk, No-Hub and Speedi-Set 3 3/4(95) for Threaded		

REGULARLY FURNISHED:
 Duco Cast Iron Lower Body and Flashing Collar with 4(100) PVC Perforated Standpipe and Duco Cast Iron Upper Body with Combined Flashing Clamp and Gravel Stop with Polyethylene Dome.

VARIATIONS:
 L Speedi-Set Service Weight
 LXH Speedi-Set Extra Heavy
 Solid Standpipe -SP
 Standpipe Covered with Stainless Steel Mesh -SSM

OPTIONAL MATERIALS:
 Aluminum Dome -AD
 Cast Iron Dome -CID
 Galvanized Cast Iron Body & Collar -G
 Galvanized Cast Iron Dome -CIDG
 Rough Bronze Dome -RBD

DRAWING NUMBER
s1909

SIZE
A

SCALE:
NONE

DATE:
5-7-08

APPROVED BY:
CL

CHECKED BY:
CL

DRAWN BY:
RN

FIGURE NUMBER
1909

WE CAN ASSUME NO RESPONSIBILITY FOR USE OF SUPERSIZED OR VOID DATA

DIMENSIONS ARE SUBJECT TO MANUFACTURERS TOLERANCE AND CHANGE WITHOUT NOTICE

REV.	DATE	DESCRIPTION	BY	CKD. BY	WEIGHT POUNDS	VOLUME CUBIC FEET	FIGURE NUMBER
D	8-7-12	Rev. Optional Materials	TBW	CL			1909
C	04/19/10	Added 24 unless specified	JJ	TK			
B	03/25/10	Removed SQ note	JJ	TK			
A	10/30/09	Renamed as 1909	JJ	TK			