

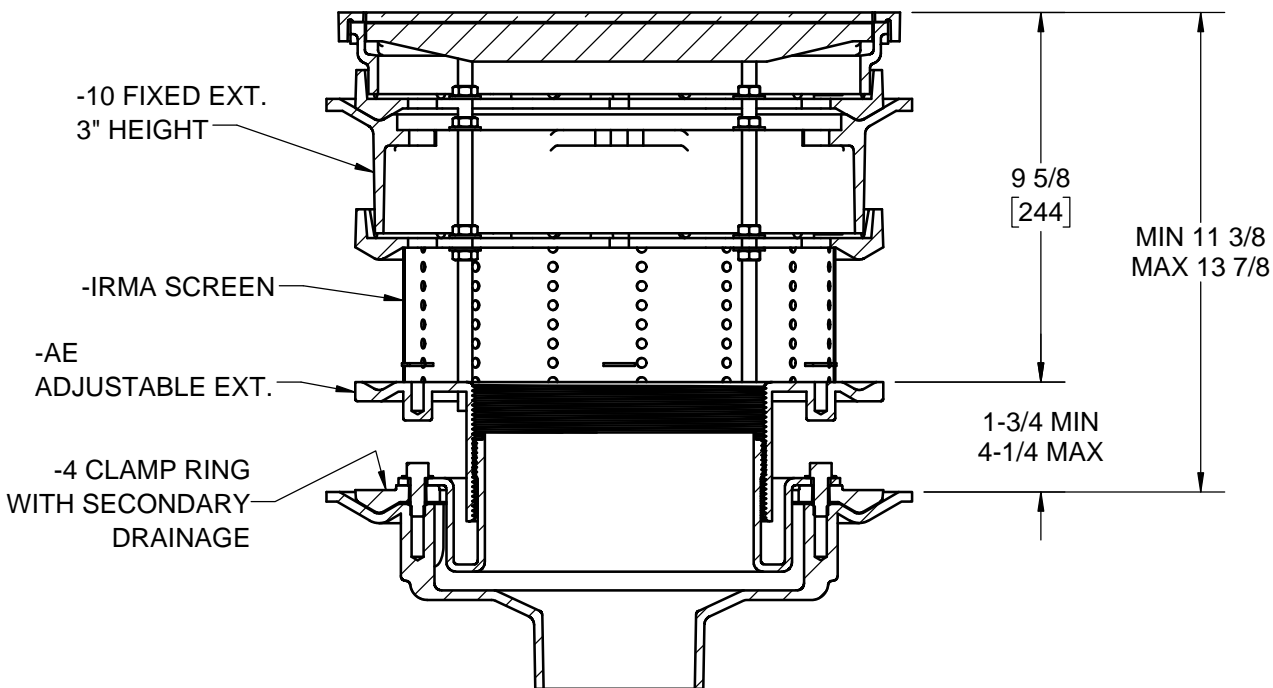
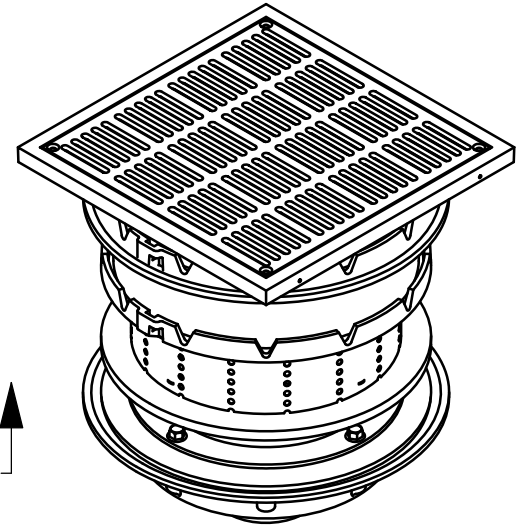
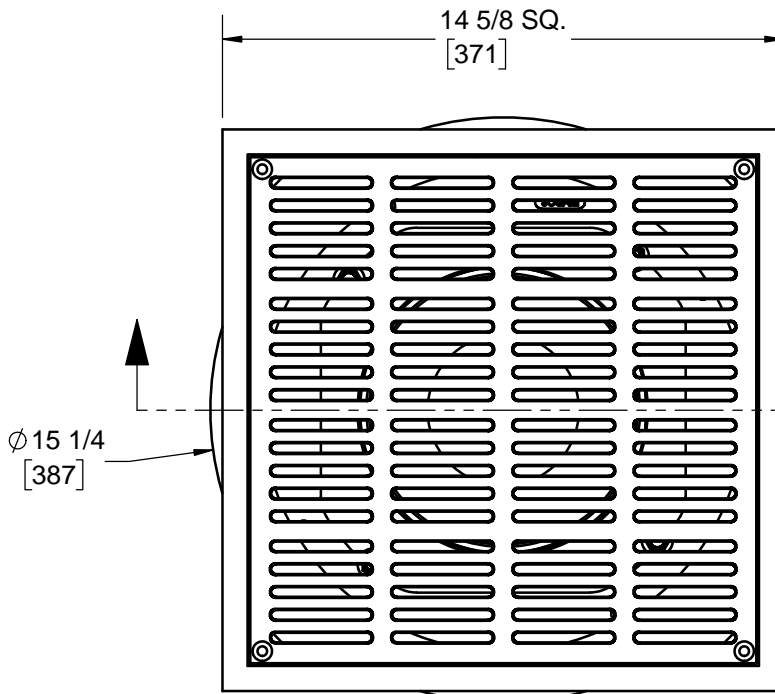
SPECIFICATION:

SEE STANDARD SUBMITTALS FOR SPECIFICATIONS, MORE OPTIONS, AND DIMENSIONAL DETAILS.

DRAIN

CUSTOM ASSEMBLY

SERIES **23500-AE-IRMA-10**



WARNING: Cancer and Reproductive Harm - www.P65Warnings.ca.gov

DATE OF LAST CHANGE: 6/27/18

DIMENSIONS ARE SUBJECT TO MANUFACTURERS TOLERANCES AND CHANGE WITHOUT NOTICE. WE CAN ASSUME NO RESPONSIBILITY FOR USE OF SUPERSEDED OR VOID DATA.

JOSAM
MICHIGAN CITY, INDIANA

NOTES