

SPECIFICATION:

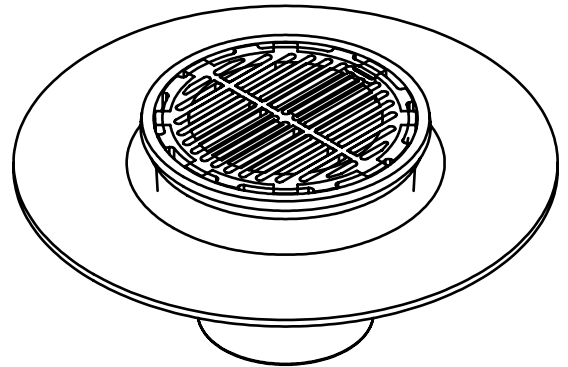
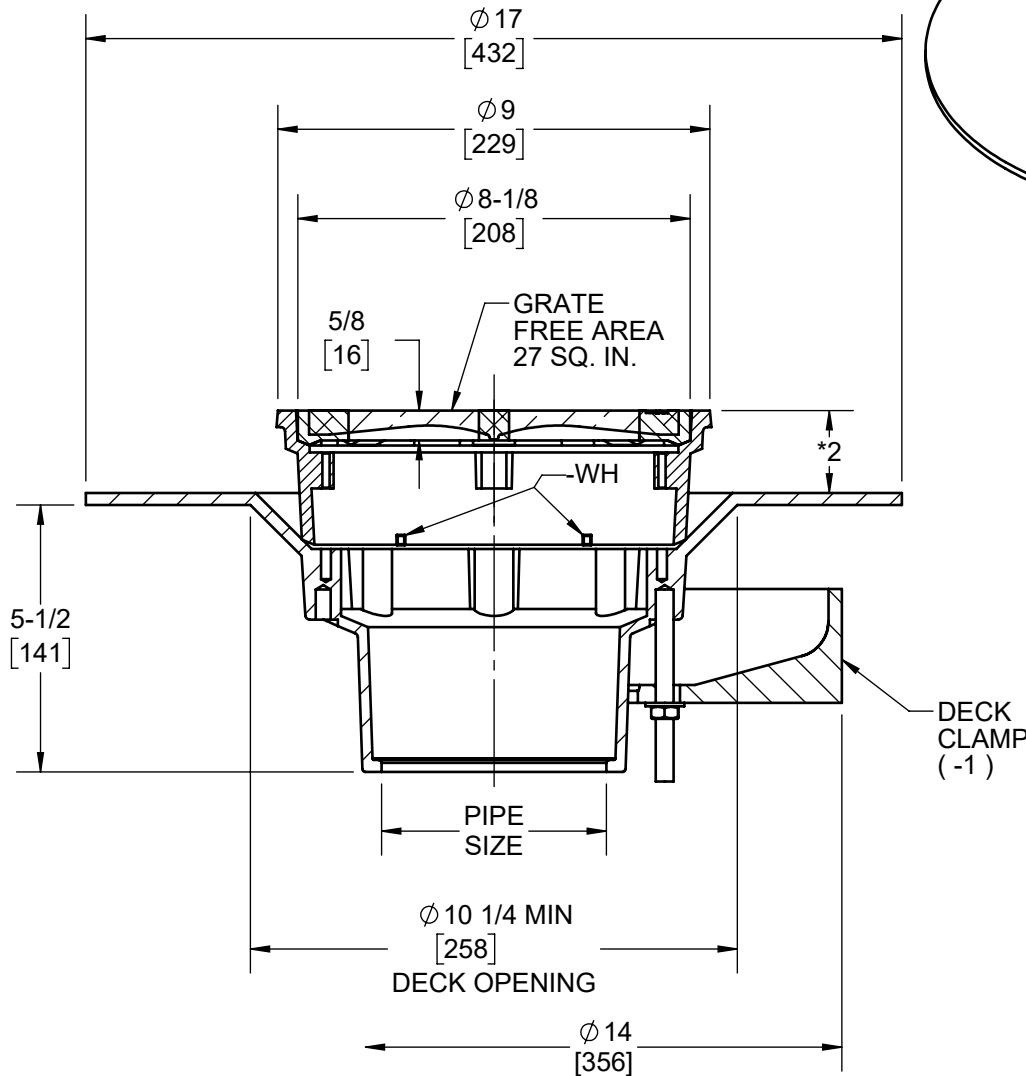
JOSAM SERIES 24040 COATED CAST IRON SUPER-FLO® ROOF DRAIN, ROUND MEDIUM-DUTY ANTI-TILTING GRATE WITH PERIMETER DRAINAGE SLOTS, EXTENSION, MEDIUM SUMP WITH WIDE DECK FLANGE AND BOTTOM INSIDE CAULK OUTLET CONNECTION.

**ROOF DRAIN
COMPOSITION DECK**

SERIES **24040**

SLOT WIDTH 3/8" (-50 & -51 SLOT WIDTH 3/16")

** ADD 1/4" WHEN FURNISHED WITH NIKALOY OR BRASS TOP*



WARNING: Cancer and Reproductive Harm - www.P65Warnings.ca.gov

2"	PIPE SIZE			-36	DUCTILE IRON GRATE (CAST IRON TOP ONLY) (EXTRA HEAVY DUTY)
3"	PIPE SIZE			-38	LESS GRATE
4"	PIPE SIZE			-50	SATIN FINISH NIKALOY TOP
-1	DECK CLAMP ASSEMBLY			-51	SATIN FINISH BRONZE TOP
				-HP	HEEL PROOF GRATE, CI, 5/16" SLOT WIDTH, 25 SQ IN FREE AREA
-20	GALVANIZED CAST IRON PARTS			-VP	SECURED GRATE
-29	SEDIMENT BUCKET, CAST IRON			-WH	WEEP HOLES
-29-20	SEDIMENT BUCKET, GALVANIZED				
-31	CHAIN ANCHORED GRATE	X		-X	INSIDE CAULK OUTLET

DATE OF LAST CHANGE: 05/26/20
 DIMENSIONS ARE SUBJECT TO MANUFACTURERS TOLERANCES AND CHANGE WITHOUT NOTICE. WE CAN ASSUME NO RESPONSIBILITY FOR USE OF SUPERSEDED OR VOID DATA.

JOSAM
 MICHIGAN CITY, INDIANA

NOTES