

K



**JAY R. SMITH MFG. CO.**  
 MEMBER OF MORRIS GROUP INTERNATIONAL  
 POST OFFICE BOX 3237  
 MONTGOMERY, ALABAMA 36109-0237 (USA)  
 TEL: 334-277-8520 FAX: 334-272-7396 www.jrsmith.com



MEMBER OF:

LOCATION

DRAWING NUMBER  
S2420SIZE  
ASCALE:  
NONEDATE:  
5-17-85APPROVED BY:  
SBCHECKED BY:  
McDDRAWN BY:  
EMB

2420,2425

WE CAN ASSUME NO RESPONSIBILITY FOR USE OF SUPERSEDED OR VOID DATA

DIMENSIONS ARE SUBJECT TO MANUFACTURERS TOLERANCE AND CHANGE WITHOUT NOTICE

# TRAFFIC FLOOR DRAINS

## SQUARE TOP - FREE STANDING SEDIMENT BUCKET

Load Rating: Medium Duty having a Safe Live (Static) Load between 2,000 lbs. (900 kg) and 4,999 lbs. (2,250 kg) per ASME A112.6.3 Floor Drain Standard. For the specific Safe Live Load rating of any grate, contact the Smith representative or factory direct.

Free Area  
27 SQ IN  
(174) SQ CM

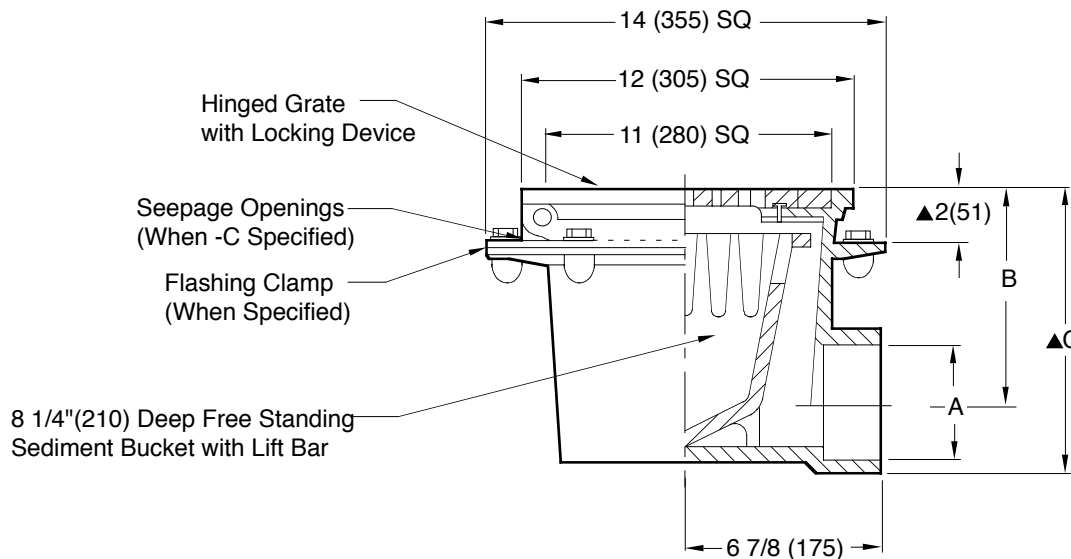


Fig. 2420C . . . . LESS FLANGE  
 Fig. 2425C . . . . WITH FLANGE

A SIZE	03(75)	04(100)	05(125)	06(150)
B	8 1/4(210)	7 3/4(195)	7 1/4(185)	6 3/4(170)
C	10 3/4(275)	10 3/4(275)	10 7/8(276)	10 7/8(276)

### CAULK OUTLET ONLY

▲ add 3/16"(5) when bronze top is specified

### REGULARLY FURNISHED:

Duct Cast Iron Body with Hinged Grate, Locking Device and Sediment Bucket.

### VARIATIONS:

- Flashing Clamp -C (Fig. 2425 only)  
 Loose Set Grate -LSG  
 Vandal Proof Grate -U

### OPTIONAL MATERIALS:

- Ductile Iron Grate -M  
 Galvanized Cast Iron -G  
 Nickel Bronze Top -NB  
 Polished Bronze Top -PB

NOTE: Dimensions shown in parentheses are in millimeters.

K 7-25-19  
 J 6-18-19  
 H 4-17-19  
 G 11-20-13

Added Load Rating  
 Removed Function  
 Revised Dimensions, Variations  
 Revised Dimensions, Table

MW  
 MW  
 MW  
 TBW

JM  
 JM  
 BW  
 BW

WEIGHT  
 POUNDS

VOLUME  
 CUBIC FEET

FIGURE NUMBER

**2420, 2425**

REV. DATE DESCRIPTION BY CKD. BY



WARNING: Cancer and Reproductive Harm - www.P65Warnings.ca.gov