

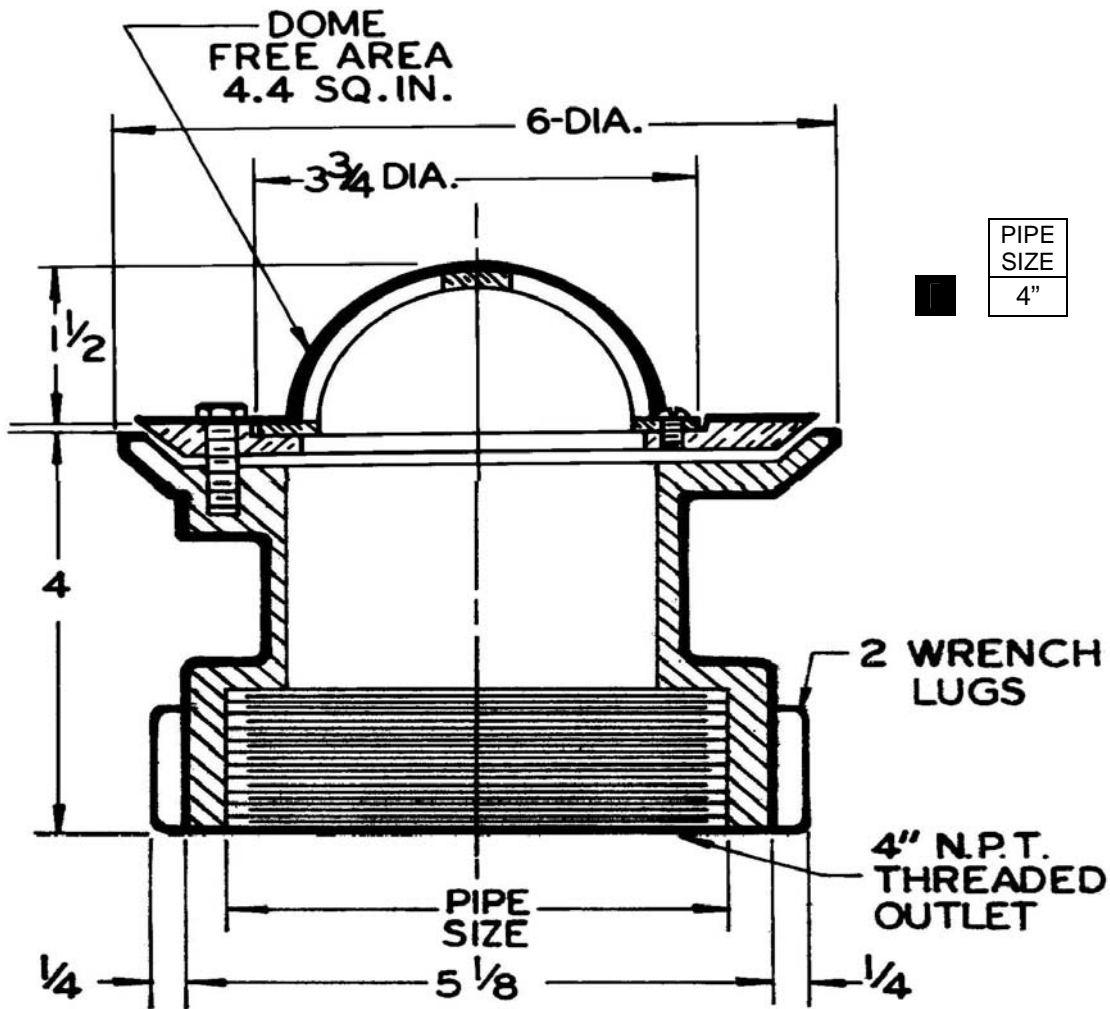
**SPECIFICATION:**

JOSAM 24504 SERIES COATED CAST IRON SILL DRAIN, SECURED LOW BRONZE DOME, BRONZE CLAMP RING AND SHALLOW SUMP WITH FLASHING FLANGE AND 4" BOTTOM THREADED OUTLET CONNECTION.

**ROOF DRAIN**  
SILL TYPE WITH BRONZE DOME

SERIES

24504



- ▼  -45 BODY WITH 45° THREADED OUTLET
- ▼  -90 BODY WITH 90° THREADED OUTLET
- 20 GALVANIZED CAST IRON PARTS
- 24 ROUGH NIKALOY DOME
- 27 HIGH DOME

- 33 STAINLESS STEEL MESH COVERED DOME
- 35 FLAT GRATE (SLOT WIDTH 1/8")
- 50 SATIN FINISH NIKALOY TOP
- 51 SATIN FINISH BRONZE TOP
- VP VANDAL-PROOF DOME

▼ SEPARATE SUBMITTAL FOR THIS OPTION AVAILABLE

DRAWING No. 06/18/08

**JOSAM COMPANY**  
MICHIGAN CITY, INDIANA

NOTES: