

E
DRAWING NUMBER S2586
SIZE A
SCALE: NONE
DATE: 5-17-85
APPROVED BY: TD
CHECKED BY: TD
DRAWN BY: PJ
FIGURE NUMBER 2586

SMITH® JAY R. SMITH MFG. CO.®
 MEMBER OF MORRIS GROUP INTERNATIONAL
 POST OFFICE BOX 3237
 MONTGOMERY, ALABAMA 36109-0237 (USA)
 TEL: 334-277-8520 FAX: 334-272-7396 www.jrsmith.com



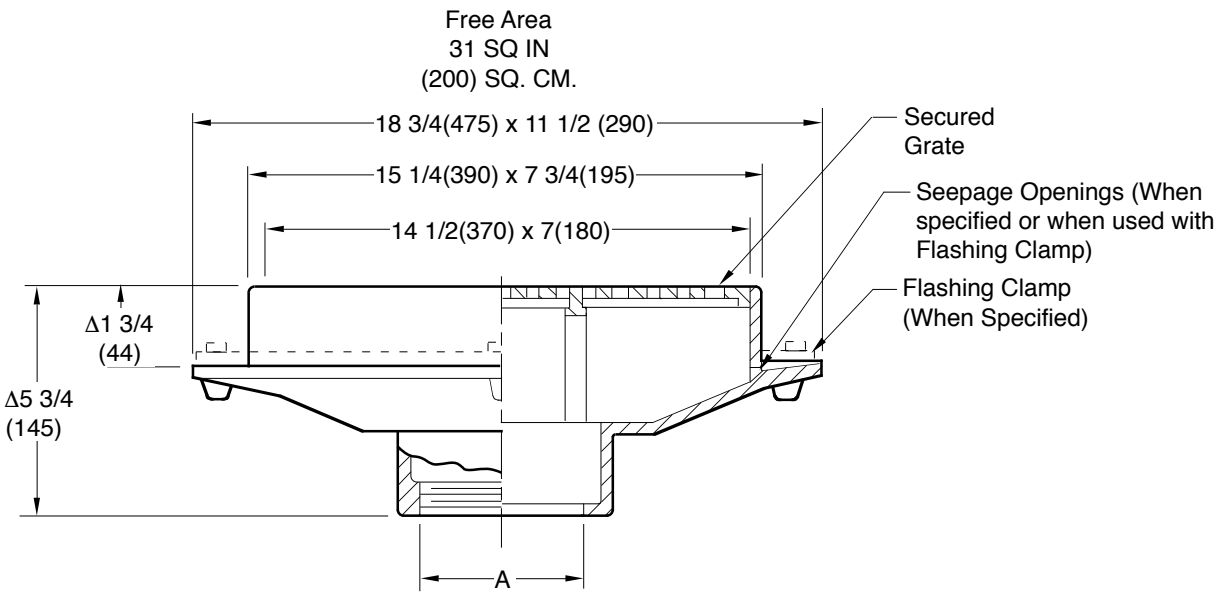
LOCATION

SPECIAL PURPOSE DRAINS

GUTTER DRAINS

FUNCTION: Used in gutters and trenches where only a limited width is available for drainage. Long rectangular grate with large free area is capable of handling large amounts of water.

Free Area
31 SQ IN
(200) SQ. CM.



A(Pipe Size) = 03(75), 04(100), 05(125) or 06(150)

- Fig. 2586C CAULK OUTLET
- Fig. 2586T THREADED OUTLET

Δ add 7/16"(11) when bronze top is specified.

REGULARLY FURNISHED:
Duco Cast Iron Body with Secured Grate.

- VARIATIONS:**
- Flashing Clamp -C
 - Less Grate -LG
 - NO-HUB Adaptor (Specify Fig. 2646Y)
 - Vandal Proof Screws -U
 - Quad Close Trap Seal (Specify Fig. 2692)

- OPTIONAL MATERIALS:**
- Galvanized Cast Iron -G
 - Nickel Bronze Top -NB
 - Polished Bronze Top -PB

NOTE: Dimensions shown in parentheses are in millimeters.

REV.	DATE	DESCRIPTION	BY	CKD. BY	WEIGHT POUNDS	VOLUME CUBIC FEET	FIGURE NUMBER
E	7-8-15	Revised Variations	TBW	CL			2586
D	10-8-13	Deleted Note, Rev. Opt. Mat.	TBW	CL			
C	12-30-98	Added Millimeters	CMD	BS			
B	11-11-93	Submittal Update	EMB	BS			