



SMITH
FLUID
CONTROLS™

JAY R. SMITH MFG. CO.®
MEMBER OF MORRIS GROUP INTERNATIONAL
POST OFFICE BOX 3237
MONTGOMERY, ALABAMA 36109-0237 (USA)
TEL: 334-277-8520 FAX: 888-377-7818 www.jrsmith.com

LOCATION

AIR GAP FITTINGS

DRAWING NUMBER
S280, 281-T, 281-S

SIZE
A

SCALE:
NONE

DATE:
1-14-19

APPROVED BY:
JM

CHECKED BY:
JM

DRAWN BY:
TBW

280, 281-T, 281-S

FIGURE NUMBER

WE CAN ASSUME NO RESPONSIBILITY FOR USE OF SUPERSEDED OR VOID DATA

DIMENSIONS ARE SUBJECT TO MANUFACTURERS TOLERANCE AND CHANGE WITHOUT NOTICE

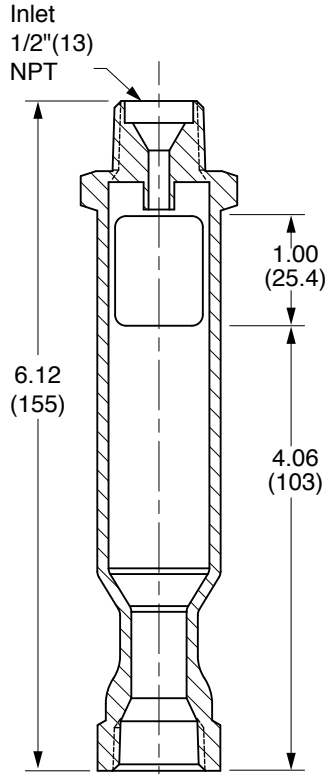


Fig. 280 1/2" NPT Threaded Outlet

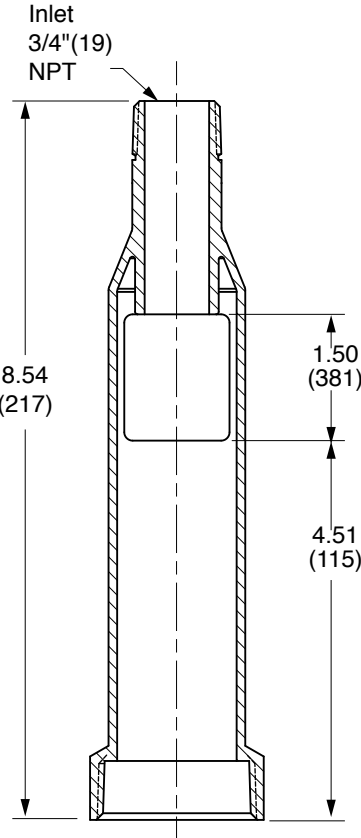


Fig. 281-T 1 1/2" NPT Threaded Outlet

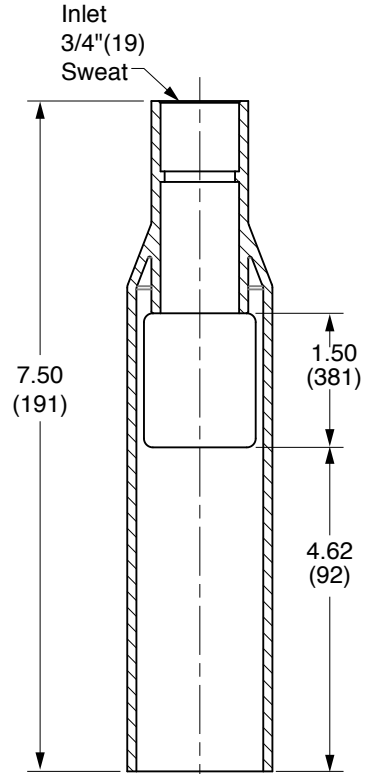


Fig. 281-S 1 1/2" Sweat Outlet

REGULARLY FURNISHED:
Cast Lead Free Brass.

OPTIONAL MATERIALS:
 Chrome Plated Brass -CP
 Nickel Plated Brass -NP

NOTES:

1. Install per the requirements of the local plumbing code.
2. Dimensions shown in parentheses are in millimeters.

Conforms to
ASME A112.1.2

B	03-27-20	Added Conformity; Moved Notes Rev. Drawing Dimen. & Options	MW	CL	WEIGHT POUNDS	VOLUME CUBIC FEET	FIGURE NUMBER 280, 281-T, 281-S
A	01-31-20		MW	CL			
REV.	DATE	DESCRIPTION	BY	CKD. BY			