

**SPECIFICATION:**

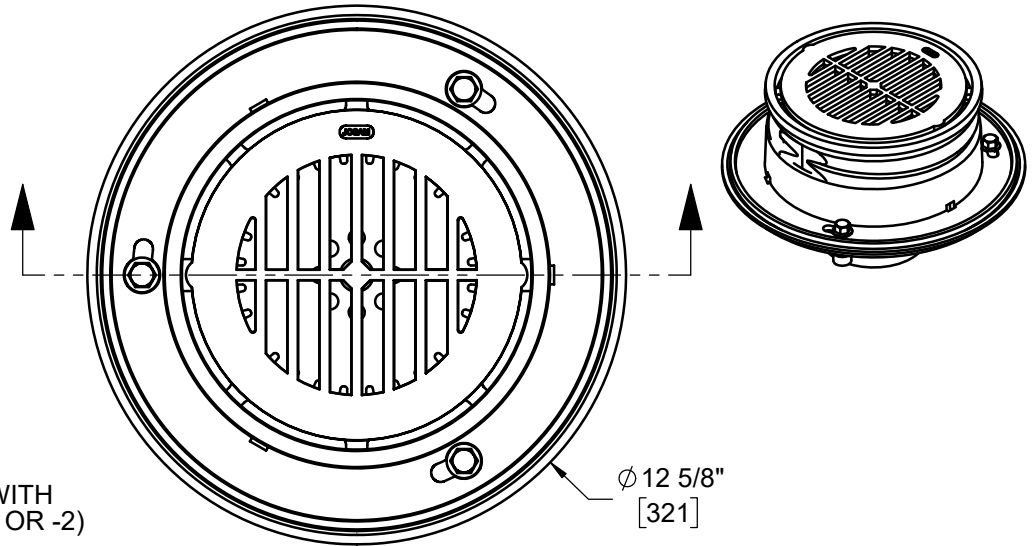
JOSAM 32100-AE-81 SERIES COATED CAST IRON LEVELEZE FLOOR DRAIN, TWO PIECE BODY WITH DOUBLE DRAINAGE FLANGE, WEJLOC NON-PUNCTURING FLASHING COLLAR, WEEPHOLES, BOTTOM OUTLET, ADJUSTABLE COLLAR WITH ROLLED THREAD AND ROUND TOP WITH REMOVABLE SEDIMENT BUCKET THAT SUPPORTS A MEDIUM-DUTY LOOSE-SET ANTI-TILTING SUPER-FLO GRATE WITH PERIMETER DRAINAGE SLOTS

**FLOOR DRAIN**  
**9" ROUND TOP**  
**LEVELEZE® , SUPER-FLO®**

SERIES **32100-AE-81**

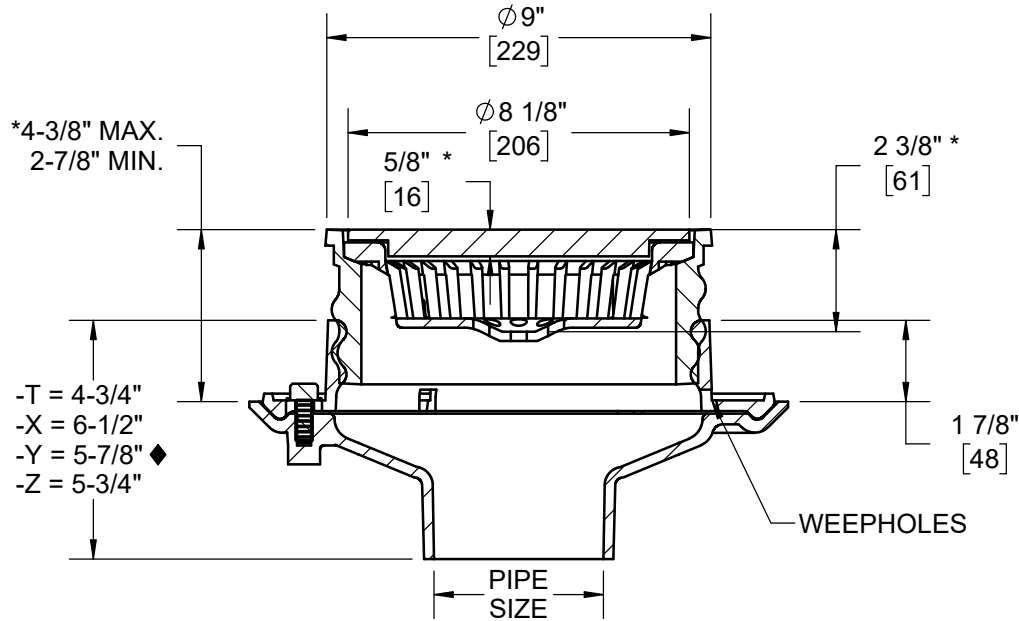
FORMERLY 31120 SERIES

GRATE FREE AREA: 22 IN<sup>2</sup>  
 STD. CI SLOT WIDTH: 3/8"  
 -1 AND -2 SLOT WIDTH: 3/16"



\* ADD 1/4" WHEN FURNISHED WITH NIKALOY OR BRONZE TOP (-1 OR -2)

◆ CONFORMS WITH ASTM-C564



PIPE SIZE
2"
3"
4"

-T = 4-3/4"  
 -X = 6-1/2"  
 -Y = 5-7/8" ◆  
 -Z = 5-3/4"

**OPTIONS:**

X	-AE	LEVELEZE ADJUSTABLE EXTENSION	-50	1/2" PRIMER TAP
X	-81	SLOTTED CAST IRON BUCKET	-66	NO-HUB SIDE OUTLET
	-1	SATIN FINISH NIKALOY TOP	-84	STAINLESS STEEL MESH BUCKET LINER
	-2	SATIN FINISH BRONZE TOP	-88	SUPPLEMENTARY STRAINER
	-7	DUCTILE IRON GRATE	-92	GALVANIZED CAST IRON PARTS
	-15	CHAINED GRATE	-T	THREADED OUTLET
	-VP	SECURED GRATE, VP SCREWS	-X	INSIDE CAULK OUTLET
	-ARE	ACID-RESISTING EPOXY COATING	-Y	HUB OUTLET WITH GASKET
	-49	3/4" PRIMER TAP	-Z	NO-HUB OUTLET

DATE OF LAST CHANGE: 07/24/18

DIMENSIONS ARE SUBJECT TO MANUFACTURERS TOLERANCES AND CHANGE WITHOUT NOTICE. WE CAN ASSUME NO RESPONSIBILITY FOR USE OF SUPERSEDED OR VOID DATA.



MICHIGAN CITY, INDIANA

NOTES