

D



JAY R. SMITH MFG. CO.
 MEMBER OF MORRIS GROUP INTERNATIONAL
 POST OFFICE BOX 3237
 MONTGOMERY, ALABAMA 36109-0237 (USA)
 TEL: 334-277-8520 FAX: 334-272-7396 www.jrsmith.com

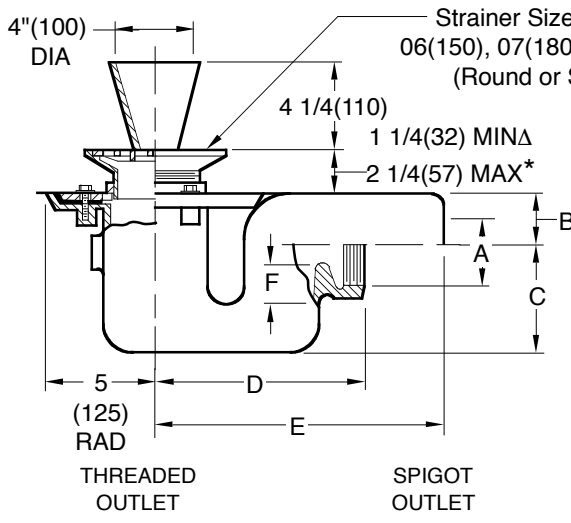


LOCATION

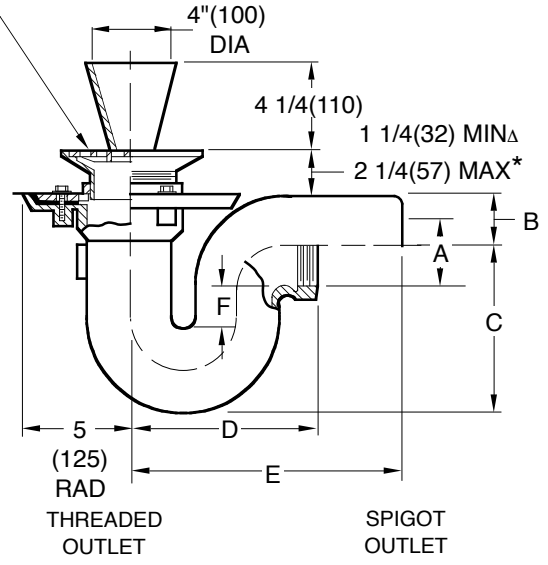
FUNNEL-CEPTOR® INDIRECT WASTE DRAINS WITH ADJUSTABLE STRAINER HEADS

FUNCTION: Used to receive waste water from indirect waste lines. Exposed grate surrounding funnel serves as drain for surrounding floor area. Adjustable strainer heads, permit accurate positioning to meet finished floor level.

SHALLOW TRAP SIDE OUTLET



DEEP TRAP SIDE OUTLET



3520T . . . (A) ROUND TOP . . . 3521S
 3520T . . . (B) SQUARE TOP . . . 3521S

3530T . . . (A) ROUND TOP . . . 3531S
 3530T . . . (B) SQUARE TOP . . . 3531S

A	B	C	D	E	F Seal
02(50)	1 3/4(44)	5(125)	6 3/4(170)	9 1/2(240)	2(51)
03(80)	2 1/4(57)	4 1/2(115)	9(230)	12 1/4(310)	2(51)
04(100)	3(76)	8 1/2(215)	10(255)	12 3/4(325)	2 1/2(64)

A	B	C	D	E	F Seal
02(50)	1 3/4(44)	5 1/4(135)	5(125)	8(205)	2(51)
03(80)	2(51)	7(180)	8(205)	10(255)	2 1/4(57)
04(100)	3(80)	8 1/2(215)	10(255)	12 3/4(325)	2 1/2(64)

REGULARLY FURNISHED:
 Duco Cast Iron Body and Flashing Collar with Adjustable Strainer Head with Secured Square Hole Grate and Funnel attached to the grate with concealed screws, permitting funnel to be moved to different positions on the grate. Type of Body and Strainer Head as indicated by Figure Number and Strainer Suffix Letter Selected.

NOTE: Dimensions shown in parentheses are in millimeters.

- VARIATIONS:**
- BODY:**
 - High Auxiliary Inlet -NH15, 1 1/2"(38) or -NH25, 2 1/2"(64)
 - Low Auxiliary Inlet -NL
 - Trap Primer Connection -P050, 1/2"(13), -P075, 3/4"(19)
 - STRAINER HEAD:**
 - Backwater Valve -V
 - Ball Float Backwater Valve -BFV
 - Sediment Bucket -B
 - Vandal Proof Grate -U
 - 6"(150) Dia. Funnel (Fig. 3581)
 - 6(150) x 2 1/2(64) x 1"(25) High Oval Funnel (Fig. 3590)

- OPTIONAL MATERIALS:**
- Cast Bronze Body -BB
 - Chrome Plated Strainer -CP (See Strainers)
 - Galvanized Body -G
 - Nickel Bronze Strainer -NB (See Strainers)
 - Polished Bronze Strainer -PB (See Strainers)

NOTES: All Strainer Shanks have 3 3/4"(95)-12 Thd. See Reverse Side for Optional Strainer Heads. Collar can be used in High Position only. Sized for Service Weight and or NO-HUB.

* ΔAdd 1/4"(6) to MIN/MAX for 04"(100) Size
 ** Add 1/4"(6) to MIN/MAX for 08"(205) Strainer Available with 03"(80) and 04"(100) only.

DRAWING NUMBER S3520

SIZE A

SCALE: NONE

DATE: 9-19-85

APPROVED BY: SJM

CHECKED BY: TD

DRAWN BY: PJ

3520, 3530

WE CAN ASSUME NO RESPONSIBILITY FOR USE OF SUPERSEDED OR VOID DATA

DIMENSIONS ARE SUBJECT TO MANUFACTURERS TOLERANCE AND CHANGE WITHOUT NOTICE

REV.	DATE	DESCRIPTION	BY	CKD. BY
	D 8-26-96	Added Millimeters	EMB	BS
	C 7-22-94	Submittal Update	EMB	BS
	B 4-10-91	Revised Variations	EMB	SB
	A 5-27-86	Revised Reg. Furn.	SM	CR

WEIGHT POUNDS	VOLUME CUBIC FEET	FIGURE NUMBER
		3520, 3530