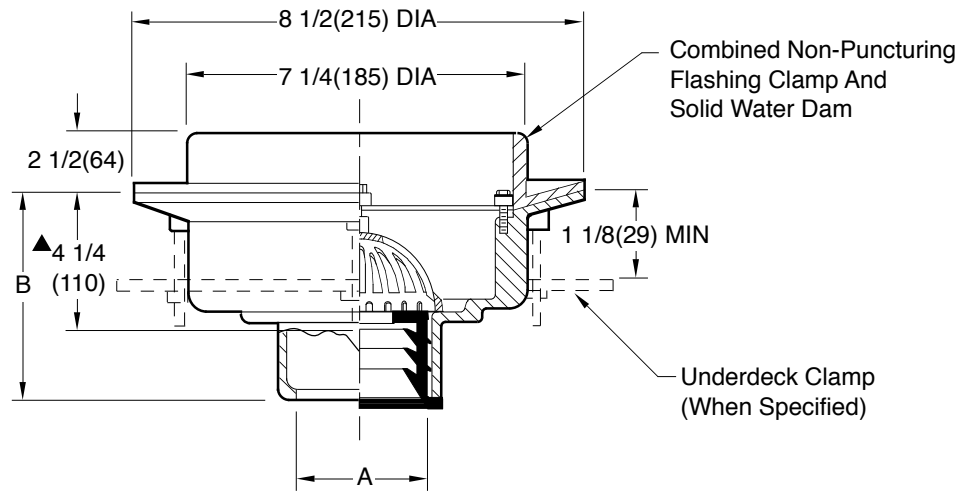


# ROOF-CEPTOR® INDIRECT WASTE DRAIN

## 7 1/4"(185) TOP - MEDIUM DEPTH RECEPTORS

**FUNCTION:** Recommended for use in roof areas to receive waste water from air conditioning units, cooling towers and other mechanical equipment installed on the roof. The solid water dam prevents storm water from entering the waste line. The large vandal proof dome bottom strainer provides ample drainage and prevents entry of debris.



- Fig. 3960C ..... CAULK OUTLET
- Fig. 3960Y ..... NO-HUB OUTLET
- Fig. 3960T ..... THREADED OUTLET

▲ This Dimension to Internal Stop of Speedi-Set Gasket

recommended deck openings:  
with suffix -R - 9"(230)  
less suffix -R - 7 3/4"(195)

A SIZE	02 (50)	03 (75)	04 (100)
B	5 1/2(140) for Caulk, NO-HUB and Speedi-Set.		
	4 1/4(110) for Threaded		

**REGULARLY FURNISHED:**  
Ducto Cast Iron Receptor with Solid Water Dam and Cast Iron Dome Bottom Strainer Secured with Stainless Steel Vandal Proof Screws.

- VARIATIONS:**
- Extension -E
  - L Speedi-Set Service Weight
  - LXH Speedi-Set Extra Heavy
  - Roof Sump Receiver -R
  - Underdeck Clamp -UDC

**OPTIONAL MATERIALS:**  
 All Galvanized -G

**NOTE:** Dimensions shown in parentheses are in millimeters.

DRAWING NUMBER S3960  
SIZE A  
SCALE: NONE  
DATE: 9-19-85  
APPROVED BY: JD  
CHECKED BY: JD  
DRAWN BY: PJ  
FIGURE NUMBER 3960

WE CAN ASSUME NO RESPONSIBILITY FOR USE OF SUPERSEDED OR VOID DATA  
DIMENSIONS ARE SUBJECT TO MANUFACTURERS TOLERANCE AND CHANGE WITHOUT NOTICE

REV.	DATE	DESCRIPTION	BY	CKD. BY	WEIGHT POUNDS	VOLUME CUBIC FEET	FIGURE NUMBER <b>3960</b>