

G

**SMITH® JAY R. SMITH MFG. CO.®**  
 MEMBER OF MORRIS GROUP INTERNATIONAL  
 POST OFFICE BOX 3237  
 MONTGOMERY, ALABAMA 36109-0237 (USA)  
 TEL: 334-277-8520 FAX: 334-272-7396 www.jrsmith.com

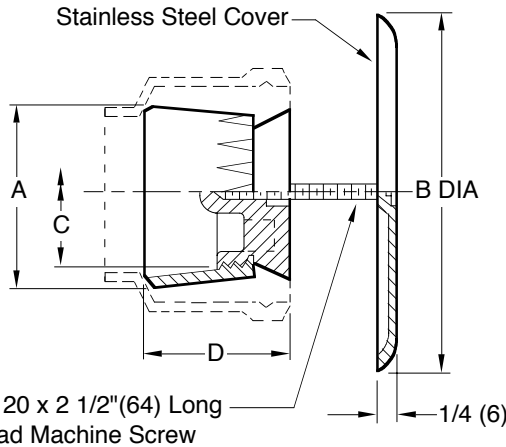


LOCATION

# CAULK FERRULE CLEANOUTS WITH ACCESS COVERS

## LEAD SEAL PLUG WITH ROUND COVER

**FUNCTION:** Used in hub openings in drainage piping where a cleanout is required. The straight thread lead seal plug permits quick and easy removal. Grooves on outside of ferrule prevent turning. Face-of-wall cover is desirable on finished walls when ferrule is used in vertical piping.



### COUNTERSUNK PLUG

- Fig. 4400C . . . . . LESS COVER AND SCREW
- Fig. 4402C . . . . . WITH COVER AND SCREW

A SIZE	B DIA	C SIZE	D
02 (50)	4 1/4 (110)	1 1/2 (38)	2 1/2 (64)
03 (80)	5 1/2 (140)	2 1/2 (64)	2 3/4 (70)
04 (100)	5 1/2 (140)	3 1/2 (89)	3 (76)
05 (125)	7 (180)	4 1/2 (115)	3 (76)
06 (150)	9 1/4 (235)	5 1/2 (140)	3 (76)

### REGULARLY FURNISHED:

Duco Cast Iron Caulk Ferrule and Cast Iron Lead Seal Plug with Stainless Steel Round Cover and Screw when indicated by Fig. Number.

### VARIATIONS:

- Longer Screw 6"(150) Lg. -LS
- "T" Handle Plug -TH  
Plug tapped 1/4"(6) - 20 Thread
- Vandal Proof Screw -U

### OPTIONAL MATERIALS:

- Cast Bronze Body -BB
- Cast Bronze Plug -BP
- Polished Bronze Cover -PB
- Prime Coated Steel Cover -PC

**NOTE:** Dimensions shown in parentheses are in millimeters.

DRAWING NUMBER S4400  
SIZE A  
SCALE: NONE  
DATE: 2-16-70  
APPROVED BY: JM  
CHECKED BY: BH  
DRAWN BY: RK  
**4400, 4402**  
FIGURE NUMBER

WE CAN ASSUME NO RESPONSIBILITY FOR USE OF SUPERSEDED OR VOID DATA  
DIMENSIONS ARE SUBJECT TO MANUFACTURERS TOLERANCE AND CHANGE WITHOUT NOTICE

G F E D	10-7-14 7-15-13 8-11-97 1-9-96	Revised Variations Rev. Table Chg'd Var & Opt Mat Added Millimeters	TBW TBW EMB EMB	BW CL BS BS	WEIGHT POUNDS	VOLUME CUBIC FEET	FIGURE NUMBER <b>4400, 4402</b>
REV.	DATE	DESCRIPTION	BY	CKD. BY			