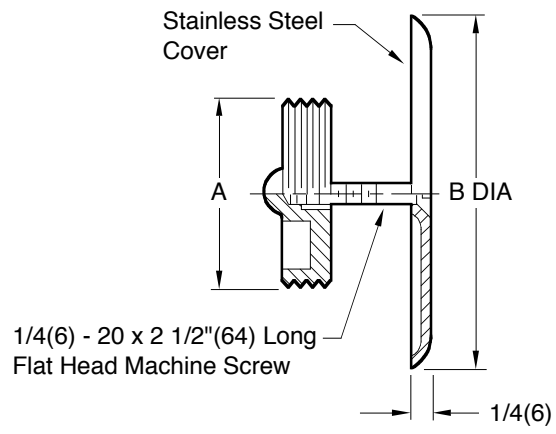


# CLEANOUT PLUGS AND COVERS

## TAPER THREAD PLUG WITH ROUND COVER

**FUNCTION:** Used in Female Pipe Size openings in Drainage piping where a cleanout is required. Countersunk plugs have slot sized to receive 1/2"(13) thick steel bar stock. Face-of-wall cover is desirable on finished walls.



### COUNTERSUNK PLUG

- Fig. 4470T . . . . . LESS COVER AND SCREW
- Fig. 4472T . . . . . WITH COVER AND SCREW

A SIZE	B DIA
0150(40), 02(50), 0250(65)	4 1/4(110)
03(80), 0350(90), 04(100)	5 1/2(140)
05(125)	7(180)
06(150)	9 1/4(235)
08(200), 10(250)	11 1/4(285)

**NOTE:** Dimensions shown in parentheses are in millimeters.

**REGULARLY FURNISHED:**

Cast Bronze Taper Thread Plug with Stainless Steel Round Cover and Screw as indicated by Figure Number.

**VARIATIONS:**

- Longer Screw (Specify Length)
- "T" Handle Plug -TH  
Plug tapped 1/4"(6) - 20 Thread
- Vandal Proof Screw -U

**OPTIONAL MATERIALS:**

- Polished Bronze Cover -PB
- Prime Coated Steel Cover -PC
- Stainless Steel Plug (See Fig. 9775)

DRAWING NUMBER **S4470**  
 SIZE **A**  
 SCALE: **NONE**  
 DATE: **2-16-70**  
 APPROVED BY: **JM**  
 CHECKED BY: **BH**  
 DRAWN BY: **RK**  
**4470, 4472**  
 FIGURE NUMBER

WE CAN ASSUME NO RESPONSIBILITY FOR USE OF SUPERSEDED OR VOID DATA  
 DIMENSIONS ARE SUBJECT TO MANUFACTURERS TOLERANCE AND CHANGE WITHOUT NOTICE

F E D C	10-7-14 1-11-96 6-15-94	Revised Variations Added Millimeters Submittal Update Chg'd Title	TBW EMB EMB EMB	BW BS BS BS	WEIGHT POUNDS	VOLUME CUBIC FEET	<b>FIGURE NUMBER</b> <b>4470, 4472</b>
REV.	DATE	DESCRIPTION	BY	CKD. BY			