

SPECIFICATION:

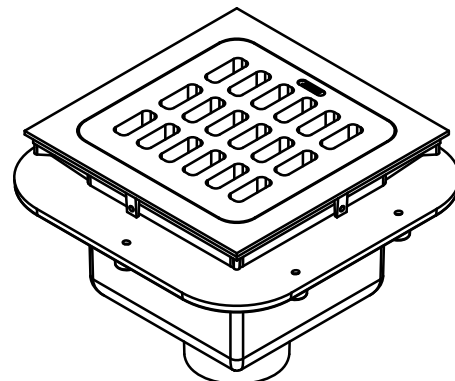
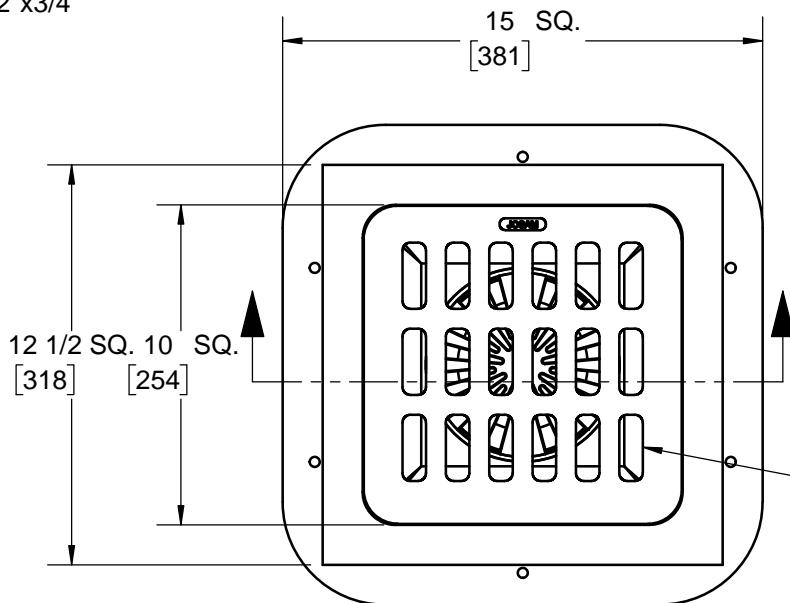
JOSAM 49340A-5 SERIES SQUARE CAST IRON 8-3/8" DEEP SUPER-FLO-SEPTOR® FLOOR SINK WITH ACID RESISTING INTERIOR, DOUBLE DRAINAGE FLANGE WITH WEEPHOLES, BOTTOM OUTLET, ALUMINUM INTERNAL DOME STRAINER, NIKALOY SANITARY SLOPED RIM AND NIKALOY EXTRA HEAVY-DUTY, ANTI-TILTING GRATE.

SANITARY FLOOR SINK

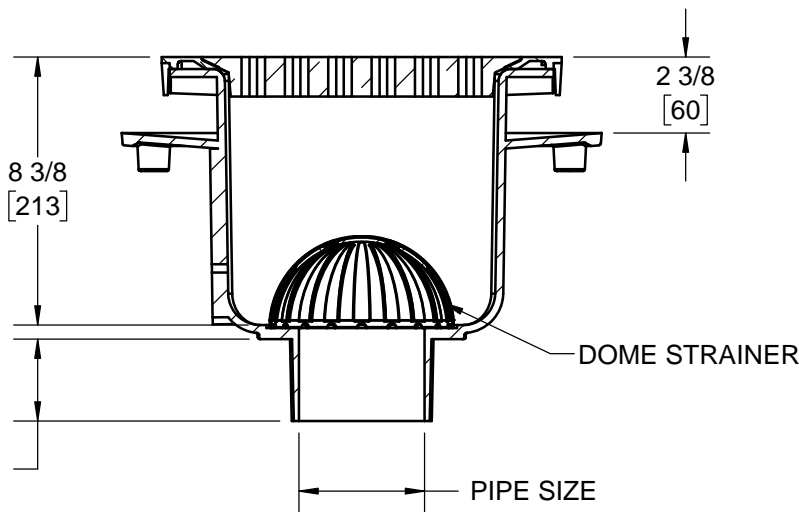
12" SQUARE TOP, 8" DEEP
EXTRA HEAVY-DUTY GRATE

SERIES **49340A-5**

SLOTS: 2"x3/4"



GRATE FREE AREA 27 SQ. IN.



PIPE SIZE	
	2"
	3"
	4"

X (2" - 3") = 2-1/2
 X (4") = 2-3/4
 Y (2" - 4") = 2
 Z (2" - 4") = 2-1/16

	-LF	LESS FLANGE
X	-5	NIK. EXTRA HVY-DUTY GRATE & RIM (NOT SUPER-FLO)
	-7	FULL GRATE WITH 2-1/2" CENTER OPENING
	-VP	SECURED GRATE, VANDAL-PROOF SCREWS
	-16	GRATE WITH 4" ROUND FUNNEL
	-17	GRATE WITH 6" ROUND FUNNEL
	-18	GRATE WITH 9" x 3-1/2" OVAL FUNNEL

	-14	HINGED GRATE
	-24	CHAINED GRATE
	-31	SEDIMENT BUCKET, ALUMINUM
	-33	SEDIMENT BUCKET, ACID RESISTANT FINISH
*	-35	BUCKET LINER (STAINLESS STEEL MESH)
	-43	INTERNAL DOME STRAINER, ACID RESISTANT FINISH
	-45	LESS INTERNAL DONE STRAINER
	-55	1/2" PRIMER ADAPTER, 88450 PROVIDED
	-C	CLAMP DEVICE
	-X	INSIDE CAULK OUTLET
	-Y	HUB OUTLET WITH GASKET
	-Z	NO-HUB OUTLET

*MUST ALSO SPECIFY -31 OR -33 OPTION

WARNING: Cancer and Reproductive Harm - www.P65Warnings.ca.gov

DATE OF LAST CHANGE: 7/05/18

DIMENSIONS ARE SUBJECT TO MANUFACTURERS TOLERANCES AND CHANGE WITHOUT NOTICE. WE CAN ASSUME NO RESPONSIBILITY FOR USE OF SUPERSEDED OR VOID DATA.

JOSAM
MICHIGAN CITY, INDIANA

NOTES