

**SPECIFICATION:**

JOSAM 49360A SERIES SQUARE CAST IRON 10" DEEP SUPER-FLO-SEPTOR® FLOOR SINK WITH ACID RESISTING INTERIOR, BOTTOM OUTLET, ALUMINUM INTERNAL DOME STRAINER AND CAST IRON NON-TRAFFIC, ACID RESISTING, ANTI-TILTING GRATE.

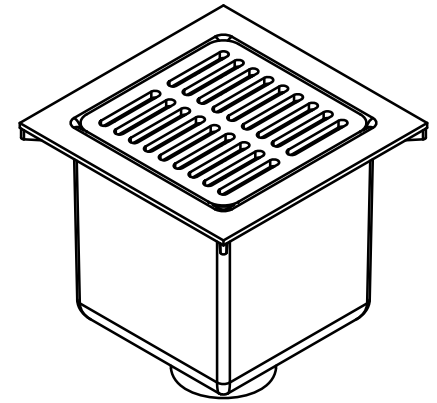
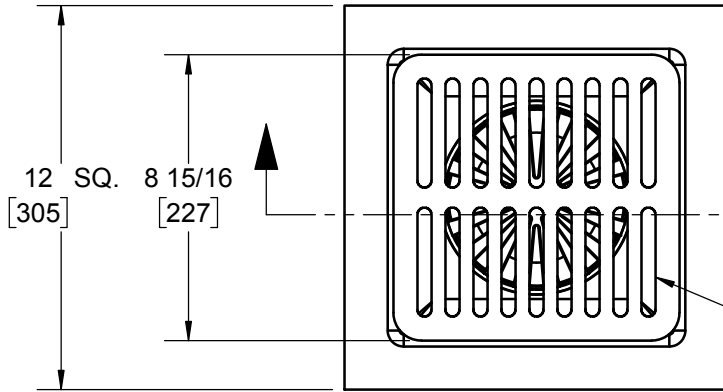
**SANITARY FLOOR SINK**

12" SQUARE TOP, 10" DEEP

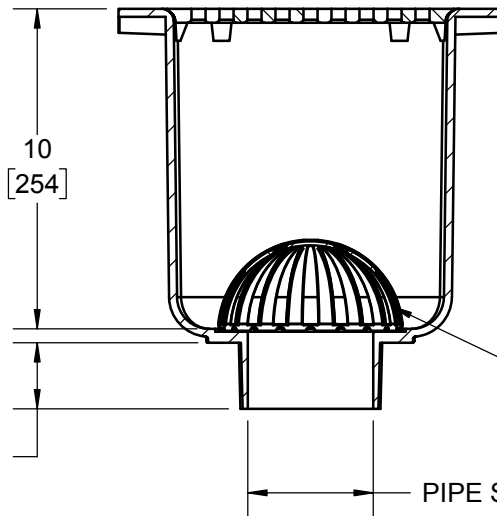
SERIES **49360A-LF**

FORMERLY 49370A SERIES

SLOT WIDTH 3/8"



GRATE FREE AREA 26 SQ. IN.



DOME STRAINER

PIPE SIZE

- X (2" - 3") = 2-1/2
- X (4") = 2-3/4
- Y (2" - 4") = 2
- Z (2" - 4") = 2-1/16

	PIPE SIZE
	2"
	3"
	4"

Δ	X	-LF	LESS FLANGE
		-NB	NICKEL BRONZE TRAFFIC TOP
		-LG	LESS GRATE
		-3	HALF (1/2) GRATE
		-4	THREE-QUARTER (3/4) GRATE
		-5	NIK. EXTRA HVY-DUTY GRATE & RIM (NOT SUPER-FLO)
		-7	FULL GRATE WITH 2-1/2" CENTER OPENING
		-8	STAINLESS STEEL DEPRESSED GRATE
		-15	STAINLESS STEEL RIM & GRATE
		-16	GRATE WITH 4" ROUND FUNNEL
	-17	GRATE WITH 6" ROUND FUNNEL	
	-18	GRATE WITH 9" x 3-1/2" OVAL FUNNEL	

	-31	SEDIMENT BUCKET, ALUMINUM
	-32	SHALLOW SEDIMENT BUCKET, ALUMINUM
	-33	SEDIMENT BUCKET, ACID RESISTANT FINISH
*	-35	BUCKET LINER (STAINLESS STEEL MESH)
	-43	INTERNAL DOME STRAINER, ACID RESISTANT FINISH
	-45	LESS INTERNAL DONE STRAINER
	-55	1/2" PRIMER ADAPTER, 88450 PROVIDED
	-X	INSIDE CAULK OUTLET
	-Y	HUB OUTLET WITH GASKET
	-Z	NO HUB OUTLET

Δ SEPARATE SUBMITTAL FOR THIS OPTION AVAILABLE

\*MUST ALSO SPECIFY -31, -32 OR -33 OPTION

DATE OF LAST CHANGE: 7/05/18

DIMENSIONS ARE SUBJECT TO MANUFACTURERS TOLERANCES AND CHANGE WITHOUT NOTICE. WE CAN ASSUME NO RESPONSIBILITY FOR USE OF SUPERSEDED OR VOID DATA.



MICHIGAN CITY, INDIANA

NOTES