

SPECIFICATION:

JOSAM 49700-NB SERIES RECTANGULAR CAST IRON 4" DEEP SUPER-FLO-SEPTOR® FLOOR SINK WITH ACID RESISTING INTERIOR, DOUBLE DRAINAGE FLANGE WITH WEEPHOLES, BOTTOM OUTLET, ALUMINUM INTERNAL SECONDARY STRAINER, NIKALOY RIM AND LIGHT-DUTY ANTI-TILTING NIKALOY GRATE.

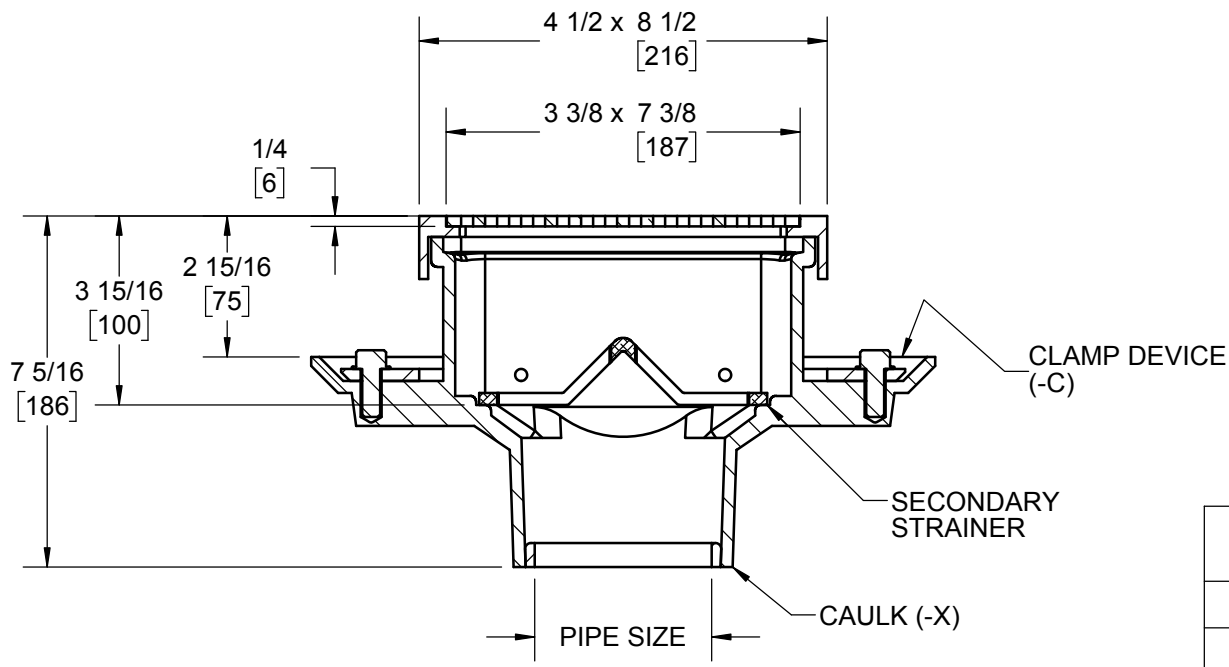
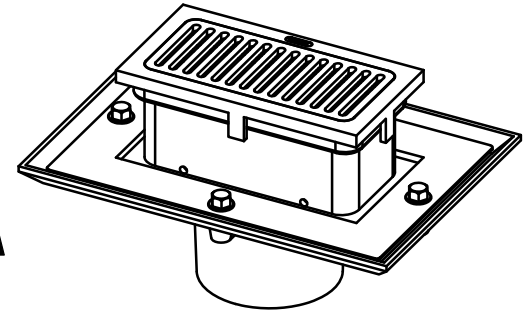
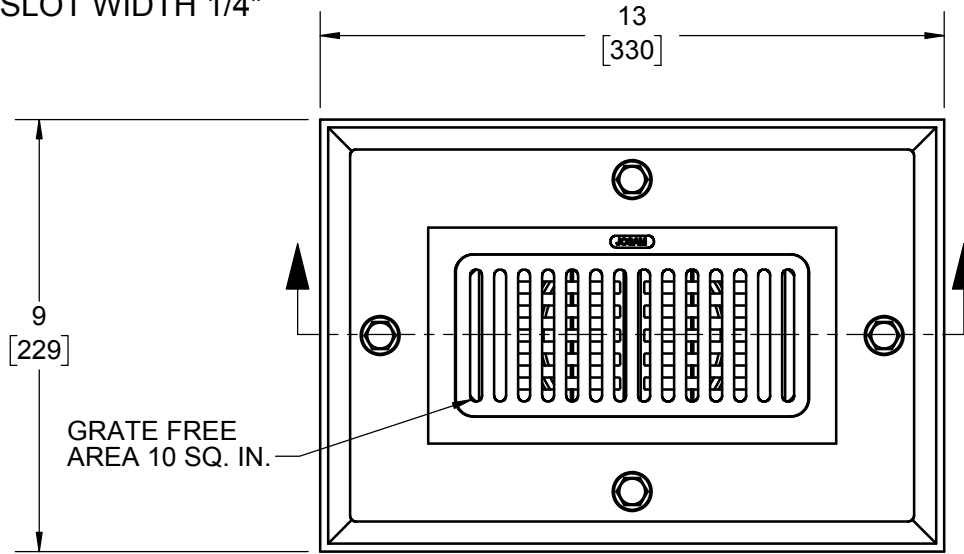
SANITARY FLOOR SINK

4"x8" RECTANGULAR TOP,
4" DEEP

SERIES **49700-NB**

SLOT WIDTH 1/4"

FORMERLY 49600 SERIES



PIPE SIZE	
	2"
	3"

Δ	-LF	LESS FLANGE
X	-NB	NICKEL BRONZE TRAFFIC TOP
	-LG	LESS GRATE
	-3	HALF (1/2) GRATE
	-4	THREE-QUARTER (3/4) GRATE
	-7	FULL GRATE WITH 2-1/2" CENTER OPENING
	-8	ALUMINUM DEPRESSED GRATE
	-VP	SECURED GRATE, VANDAL-PROOF SCREWS
	-16	GRATE WITH 4" ROUND FUNNEL

	-30	STAINLESS STEEL SEDIMENT BUCKET
	-43	INTERNAL SECONDARY STRAINER, ACID RESISTANT FINISH
	-45	LESS INTERNAL SECONDARY STRAINER
	-51	GALV. CAST IRON, INSIDE AND OUTSIDE (NO ARE)
	-52	PAINTED, INSIDE AND OUTSIDE (NO ARE)
	-55	1/2" PRIMER ADAPTER, 88450 PROVIDED
	-C	CLAMP DEVICE
	-X	INSIDE CAULK OUTLET

Δ SEPARATE SUBMITTAL FOR THIS OPTION AVAILABLE

WARNING: Cancer and Reproductive Harm - www.P65Warnings.ca.gov

DATE OF LAST CHANGE: 7/09/18

DIMENSIONS ARE SUBJECT TO MANUFACTURERS TOLERANCES AND CHANGE WITHOUT NOTICE. WE CAN ASSUME NO RESPONSIBILITY FOR USE OF SUPERSEDED OR VOID DATA.

JOSAM
MICHIGAN CITY, INDIANA

NOTES