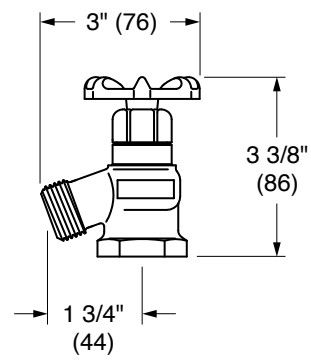


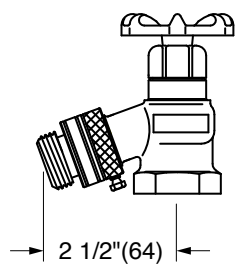
# HOSE VALVES

## BENT NOSE

**FUNCTION:** For installation on supply pipes 6" (150) to 36" (915) high in interior and exterior locations that are not subject to freezing. Valves feature a replaceable cartridge which contains all wearing parts including the seat. Optional vacuum breaker prevents contamination of potable water supply and conforms to the requirements of ASSE Standard 1011.



□ Fig. 5675  
(Less Vacuum Breaker)



□ Fig. 5675-H  
(With Vacuum Breaker)

**NOTES:**

1. The AB1953, California Lead Law, and NSF/ANSI Standard 61-2008 - Drinking Water Components are not applicable to Jay R. Smith hydrants as they do not convey/dispense water for human consumption through drinking or cooking.
2. Dimensions shown in parentheses are in millimeters.
3. **FOR IRRIGATION PURPOSES ONLY.**

**REGULARLY FURNISHED:**

Hose Valves have a Rough Finish Brass Body with Machined Brass Vandal-Resistant Lock Shield Bonnet, Removable Wheel Handle, 3/4"(19) NPT Female Threaded Inlet and 3/4"(19) Hose Connection.

**OPTIONAL MATERIALS:**

- Polished Chrome Plated -CP
- Rough Chrome Plated -CR

**Installer is responsible for providing a 100% watertight positive seal at the hydrant to wall interface. Seal all the flange with an appropriate sealant recommended by a sealant manufacturer. NOTE: Jay R. Smith does not warrant the performance or life expectancy of the sealant material.**

**NOTE:** Dimensions shown in Parentheses are in millimeters.

DRAWING NUMBER: 5675  
 SIZE: A  
 SCALE: NONE  
 DATE: 01/11/11  
 APPROVED BY: CL  
 CHECKED BY: CL  
 DRAWN BY: JJ  
 FIGURE NUMBER: 5675  
 DIMENSIONS ARE SUBJECT TO MANUFACTURERS TOLERANCE AND CHANGE WITHOUT NOTICE  
 WE CAN ASSUME NO RESPONSIBILITY FOR USE OF SUPERSEDED OR VOID DATA

D	4-5-18	Added Note	TBW	BW	WEIGHT	VOLUME	FIGURE NUMBER
C	2-4-13	Revised Notes	TBW	CL	POUNDS	CUBIC FEET	<b>5675</b>
B	12-20-11	Rev. Function	TBW	TK			
A	3-22-11	Rev. Reg. Furn., Opt. Mat	TBW	CL			
REV.	DATE	DESCRIPTION	BY	CKD. BY			