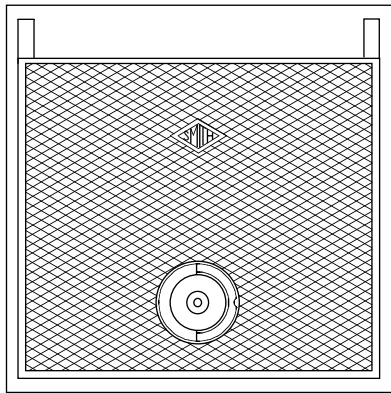


# NON-FREEZE GROUND HYDRANT

## BOX TYPE HYDRANT WITH DUCTILE IRON COVER

**FUNCTION:** Hydrant with hinged cover and box, for applications which require a flush with ground non-freeze hydrant. The closing valve is located below the frost line. When hydrant is shut off water is drained from the casing through the drain hole in the valve housing.



**TOP VIEW**

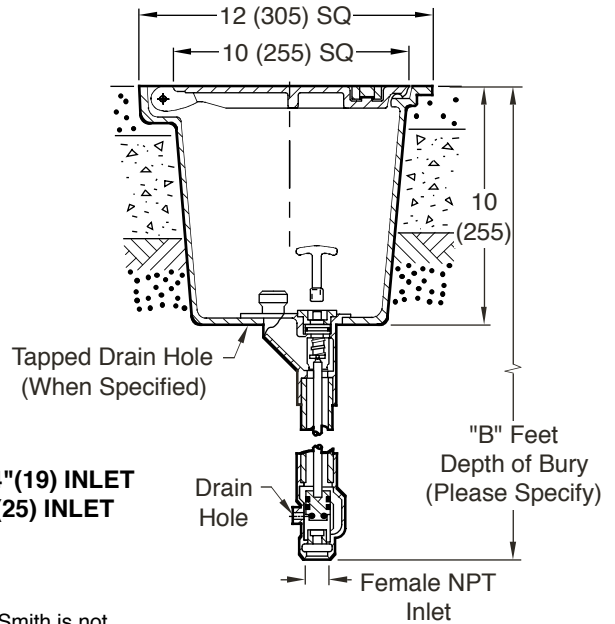


Fig. 5950 . . . 3/4"(19) INLET  
 Fig. 5951 . . . 1"(25) INLET

B(Depth of Bury) = 02(610), 03(915), 04(1220), 05(1525),  
06(1830), 07(2135) or 08(2438) Feet

- NOTE:**
1. Addition of vacuum breaker will not allow draining of the casing. Smith is not responsible for any casings that burst or related incidents if the hydrant is supplied with a vacuum breaker.
  2. All Jay R. Smith hydrants are manufactured with "NO-LEAD" brazing rings and USDA approved lubricants.
  3. The AB1953, California Lead Law, and NSF/ANSI Standard 61-2008 - Drinking Water System Components are not applicable to Jay R. Smith hydrants as they do not convey/dispense water for human consumption through drinking or cooking.
  4. Dimensions shown in parentheses are in millimeters.
  5. When installed in parking decks, garages or similar applications subjected to vehicle traffic, hydrant shall be located in a non-traffic location.
  6. **FOR IRRIGATION PURPOSES ONLY.**

**REGULARLY FURNISHED:**

Bronze Hydrant with Bronze Casing.  
"T" Handle Key and Cast Iron Box  
with Ductile Iron Cover with Lifting  
Device.

**VARIATIONS:**

- 1"(25) Hose Connection Adaptor -HC1
- 1/8"(3) NPT Drain Hole in Box -N
- 1/8"(3) NPT Drain Hole in Valve Housing -NV
- "Water" Cast on Cover -W

**OPTIONAL MATERIALS:**

- Nickel Bronze Top -NB
- Polished Bronze Top -PB
- Rough Bronze Top -RB

### TECHNICAL DATA

Non-Freeze Ground Hydrants are supplied with a special valve housing which prevents freezing of hydrant during non-use periods. The valve housing must be installed below the frost line which prevails for the area of installation. The valve housing has a drain hole which drains the casing during non-use periods. Since water from the drain hole is normally allowed to drain into the ground, the valve housing should be set in a bed of gravel. Water drained from the casing can then seep into the ground.

Some locations which require Non-Freeze Ground Hydrants cannot tolerate water draining from the drain hole. Examples are parking garages, plazas and roof decks used for recreational purposes. Often in these types of applications the valve housing will protrude into a finished area which is not subject to freezing temperatures. To eliminate the problem of water drainage in this type of installation, Smith can supply a tapped drain hole in the hydrant box and a tapped drain hole in the valve housing. Through these tapped drain holes, water accumulation in the box and the water from the valve housing drain hole can be piped to a suitable drain.

**5950, 5951**

FIGURE NUMBER	P N M L	2-5-13 2-27-12 6-13-11 5-23-11	<b>Revised Notes</b> Rev. Function, Reg. Furn., Note Revised Note Added Note	TBW TBW TBW TBW	CL AM CL CL	WEIGHT POUNDS	VOLUME CUBIC FEET	<b>FIGURE NUMBER</b>  <h1 style="margin: 0;">5950, 5951</h1>
REV.	DATE	DESCRIPTION	BY	CKD. BY				

DIMENSIONS ARE SUBJECT TO MANUFACTURERS TOLERANCE AND CHANGE WITHOUT NOTICE

DRAWING NUMBER  
**S5950**

SIZE  
**A**

SCALE:  
**NONE**

DATE:  
**12-8-86**

APPROVED BY:  
**TD**

CHECKED BY:  
**VGD**

DRAWN BY:  
**WAS**

WE CAN ASSUME NO RESPONSIBILITY FOR USE OF SUPERSEDED OR VOID DATA

# PARTS LIST WITH MAINTENANCE INSTRUCTIONS

DRAWING NUMBER  
S5950BS

SIZE  
A

SCALE:  
NONE

DATE:  
1-23-85

APPROVED BY:  
TD

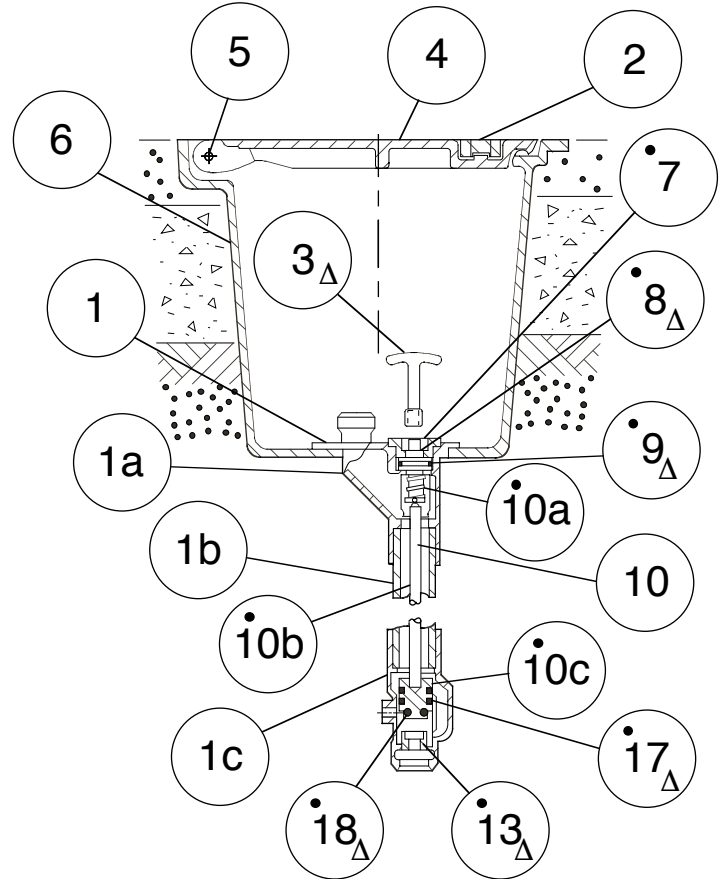
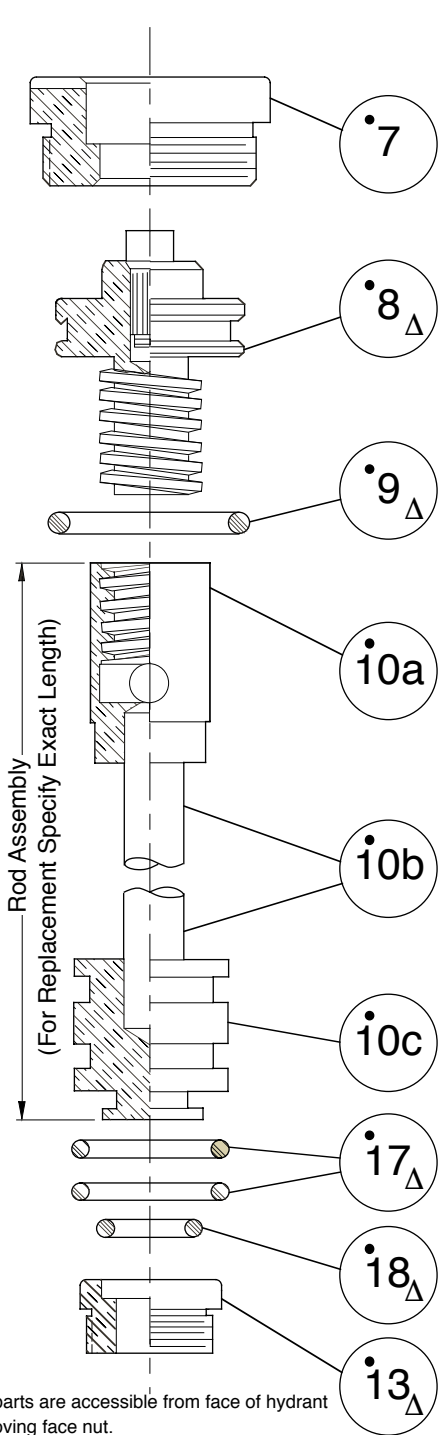
CHECKED BY:  
TD

DRAWN BY:  
VGD

FIGURE NUMBER  
5950, 5951-BS

WE CAN ASSUME NO RESPONSIBILITY FOR USE OF SUPERSEDED OR VOID DATA

DIMENSIONS ARE SUBJECT TO MANUFACTURERS TOLERANCE AND CHANGE WITHOUT NOTICE



## REPLACEMENT PARTS LIST-SPECIFY FIGURE NO. WHEN ORDERING

No.	DESCRIPTION	No.	DESCRIPTION
1	Head/Casing Assembly	8	Operating Screw
1a	Head	9	Operating Screw "O" Ring
1b	Casey	10	Operating Rod Assembly
1c	Valve Housing	10a	Coupling
2	Lifting Device	10b	Rod
3	Key	10c	Plunger
4	Cover	13	Removable Seat
5	Hydrant Cover Hinge Pins(2)	17	Plunger "O" Ring
6	Box	18	Plunger "O" Ring
7	Face Nut		

## MAINTENANCE INSTRUCTIONS

1. Shut off water supply.
2. Remove face nut.
3. Pull stem out for complete access to all working parts.
4. Check all working parts for replacement.
5. Replace complete stem assembly and face nut.

• These parts are accessible from face of hydrant by removing face nut.  
 ▲ These replacement parts available in HPRK-41.

REV.	DATE	DESCRIPTION	BY	CKD. BY
A	7-23-91	Redrawn & Added Item 2	EMB	JCS

WEIGHT POUNDS	VOLUME CUBIC FEET	FIGURE NUMBER
		5950, 5951-BS