

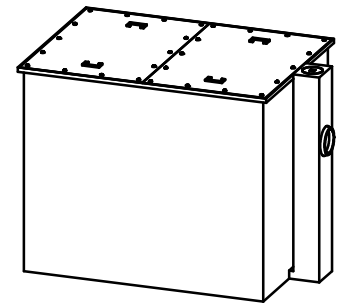
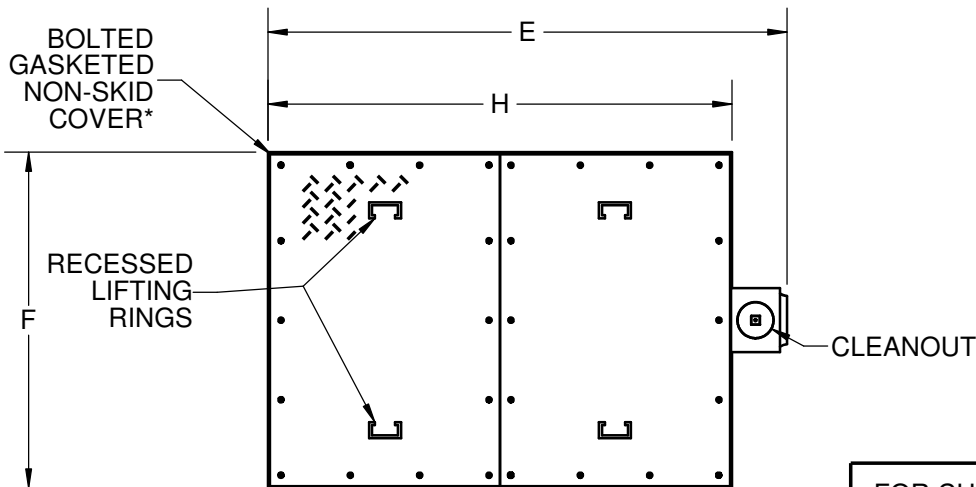
SPECIFICATION:

JOSAM 60210A-EXT SERIES ACID RESISTANT EPOXY COATED FABRICATED STEEL GREASE INTERCEPTOR, HIGH VOLUME, DEEP ROUGHING, INTEGRAL EXTENSION, THREADED CONNECTIONS, INTERNAL AIR-RELIEF, VISIBLE DOUBLE WALL TRAP, REMOVABLE DIFFUSER BAFFLE, GASKETED NON-SKID COVER AND FLOW CONTROL FITTING.

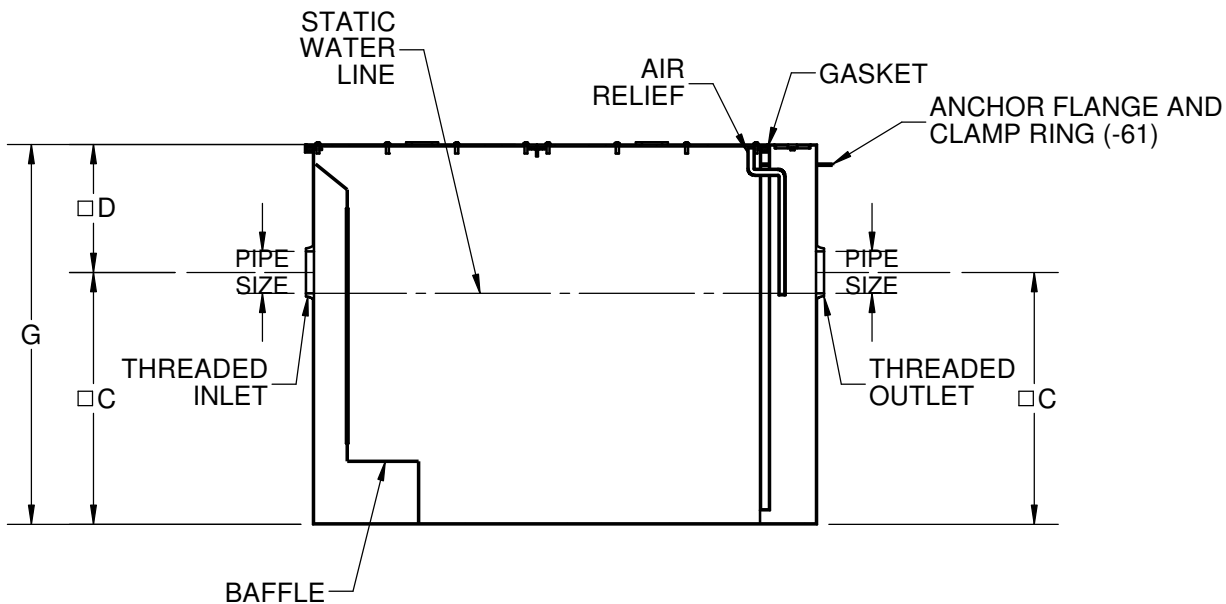
**GREASE INTERCEPTOR
MANUAL HIGH-VOLUME TYPE**

SERIES **60210A-EXT**

FORMERLY 60200A SERIES



FOR CUSTOM EXTENSION HEIGHT:
SPECIFY "D" DIMENSION=____IN.
NEW "G" DIMENSION=____IN.
("C" + "D")



	-EGOLD	ELECTRIC GREASE/OIL LEVEL DETECTOR
X	-EXT	EXTENSION, 6" STANDARD (SPECIFY EXT. HEIGHT)
	-60	ANCHOR FLANGE
	-61	FLANGE AND CLAMP DEVICE
	-ISI	INTEGRATED SOLIDS INTERCEPTOR
	-HD	HEAVY-DUTY COVER

	TYPE	FLOW RATE	CAP. (LBS)	PIPE SIZE	C	□D	E	F	□G	H
*	60213A-EXT	150	300	4	27	14	60	39	41	53
	60214A-EXT	200	400	5	31-1/2	16	67	42	47-1/2	58
	60215A-EXT	250	500	5	35-1/2	16	72	46	51-1/2	63
	60216A-EXT	350	700	6	39-1/2	18	80	52	57-1/2	71
	60217A-EXT	500	1000	6	43-1/2	18	91	59	61-1/2	82

□ DIMENSIONS BASED ON STANDARD 6" EXTENSION

*THIS SIZE FURNISHED WITH ONE-PIECE COVER

DATE OF LAST CHANGE: 10/30/14

DIMENSIONS ARE SUBJECT TO MANUFACTURERS TOLERANCES AND CHANGE WITHOUT NOTICE. WE CAN ASSUME NO RESPONSIBILITY FOR USE OF SUPERSEDED OR VOID DATA.

JOSAM COMPANY
MICHIGAN CITY, INDIANA

NOTES