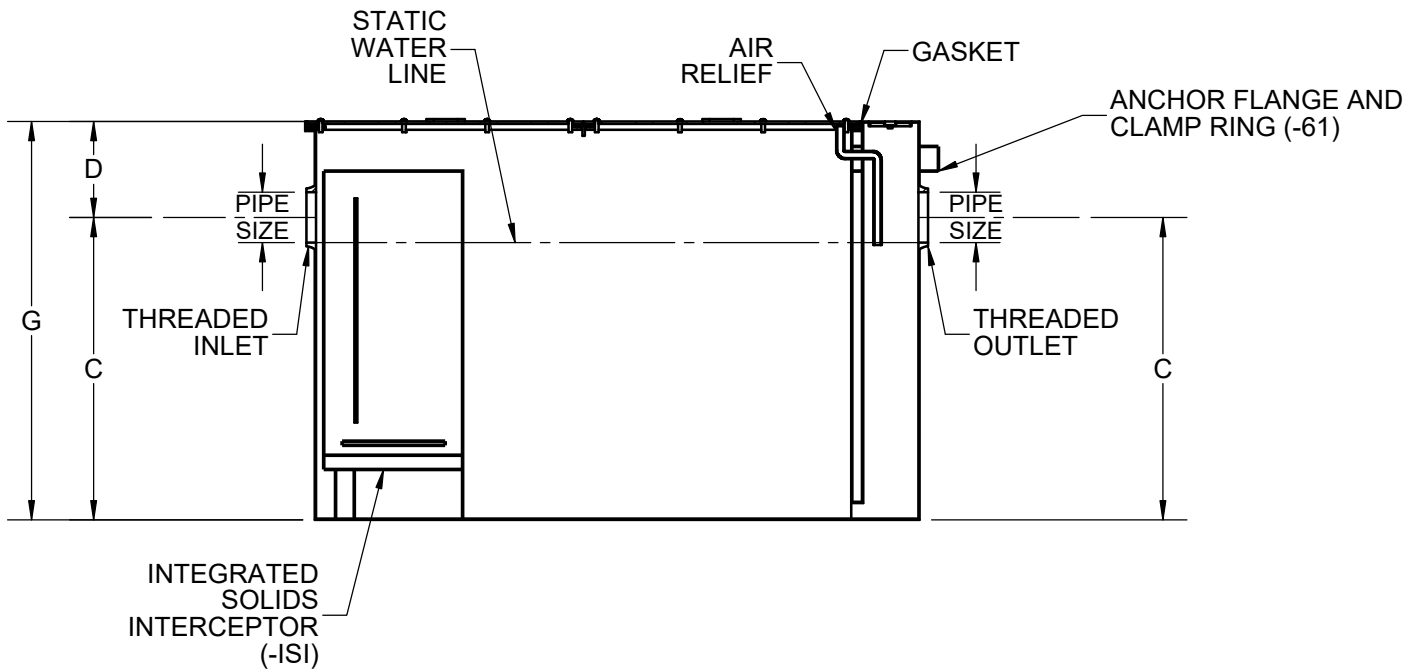
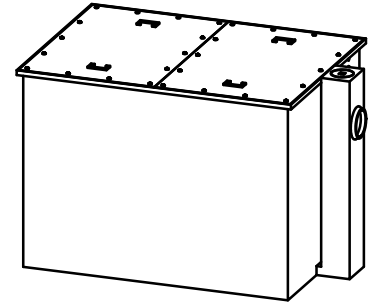
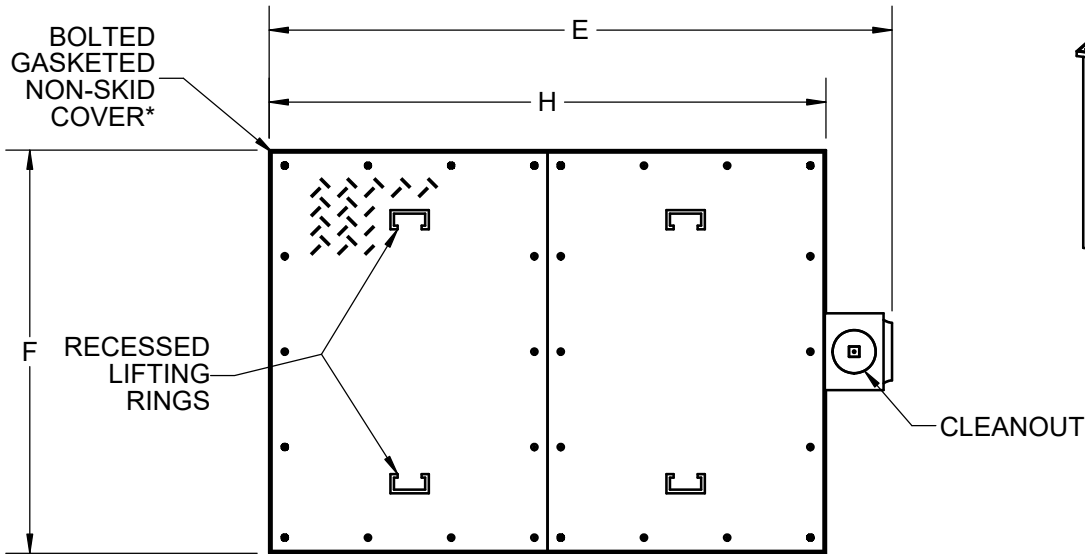


**SPECIFICATION:**

JOSAM 60210A-ISI SERIES ACID RESISTANT EPOXY COATED FABRICATED STEEL GREASE INTERCEPTOR, HIGH VOLUME, THREADED CONNECTIONS, INTERNAL AIR-RELIEF, VISIBLE DOUBLE WALL TRAP, INTEGRATED SOLIDS INTERCEPTOR, GASKETED NON-SKID COVER AND FLOW CONTROL FITTING.

**GREASE INTERCEPTOR  
MANUAL HIGH-VOLUME TYPE**

SERIES **60210A-ISI**



	-EGOLD	ELECTRIC GREASE/OIL LEVEL DETECTOR
	-60	ANCHOR FLANGE
	-61	FLANGE AND CLAMP DEVICE
X	-ISI	INTEGRATED SOLIDS INTERCEPTOR
	-HD	HEAVY-DUTY COVER

	TYPE	FLOW RATE	CAP. (LBS)	PIPE SIZE	C	D	E	F	G	H
	60213A-ISI	150	300	4	27	8	60	39	35	53
	60214A-ISI	200	400	5	31-1/2	10	67	42	41-1/2	58
	60215A-ISI	250	500	5	35-1/2	10	72	46	45-1/2	63
	60216A-ISI	350	700	6	39-1/2	12	80	52	51-1/2	71
	60217A-ISI	500	1000	6	43-1/2	12	91	59	55-1/2	82

\*THIS SIZE FURNISHED WITH ONE-PIECE COVER

WARNING: Cancer and Reproductive Harm - www.P65Warnings.ca.gov

DATE OF LAST CHANGE: 06/15/18

DIMENSIONS ARE SUBJECT TO MANUFACTURERS TOLERANCES AND CHANGE WITHOUT NOTICE. WE CAN ASSUME NO RESPONSIBILITY FOR USE OF SUPERSEDED OR VOID DATA.



MICHIGAN CITY, INDIANA

NOTES