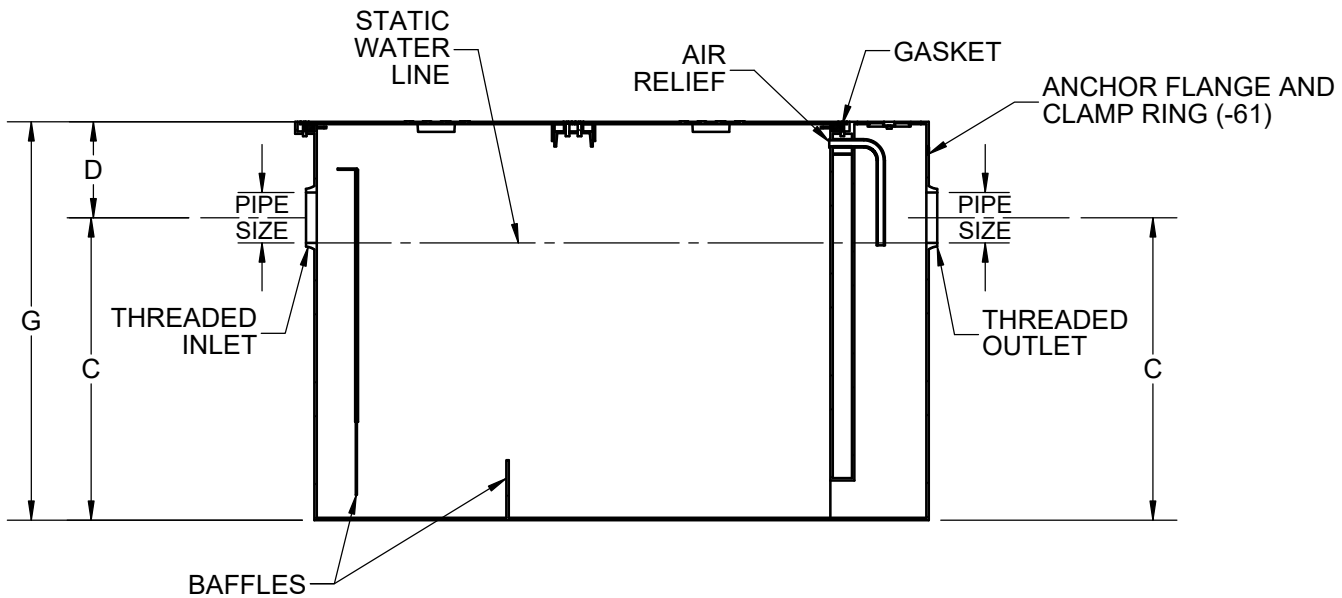
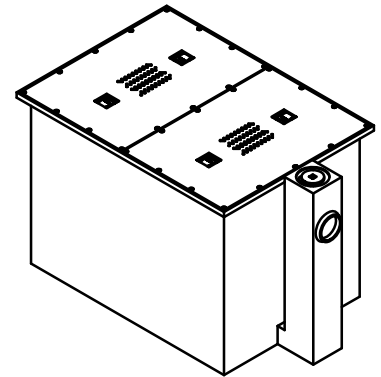
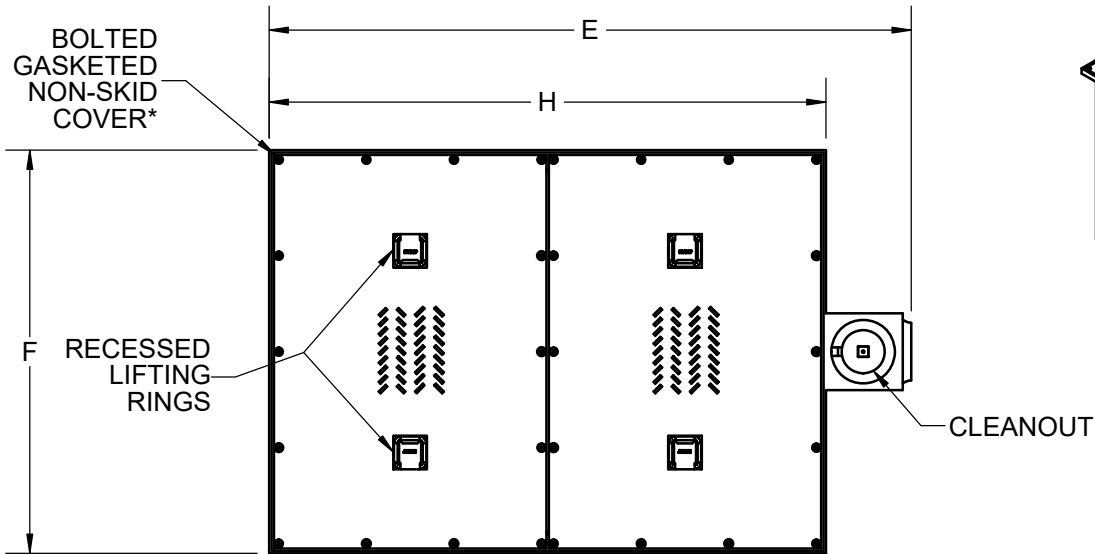


SPECIFICATION:

JOSAM 60210A SERIES ACID RESISTANT EPOXY COATED (INSIDE AND OUT) FABRICATED STEEL GREASE INTERCEPTOR, HIGH VOLUME, THREADED CONNECTIONS, INTERNAL AIR-RELIEF, VISIBLE DOUBLE WALL TRAP, REMOVABLE DIFFUSER Baffle, GASKETED NON-SKID COVER AND FLOW CONTROL FITTING.

**GREASE INTERCEPTOR
MANUAL HIGH-VOLUME TYPE**

SERIES **60210A**



WARNING: Cancer and Reproductive Harm - www.P65Warnings.ca.gov

△	-EGOLD	ELECTRIC GREASE/OIL LEVEL DETECTOR
△	-EXT	EXTENSION, 6" STANDARD (SPECIFY EXT. HEIGHT)
	-60	ANCHOR FLANGE
	-61	FLANGE AND CLAMP DEVICE
△	-ISI	INTEGRATED SOLIDS INTERCEPTOR
	-HD	HEAVY-DUTY COVER

	TYPE	FLOW RATE	CAP. (LBS)	PIPE SIZE	C	D	E	F	G	H
	60213A	150	300	4	27	8	60	39	35	53
	60214A	200	400	5	31-1/2	10	67	42	41-1/2	58
	60215A	250	500	5	35-1/2	10	72	46	45-1/2	63
	60216A	350	700	6	39-1/2	12	80	52	51-1/2	71
	60217A	500	1000	6	43-1/2	12	91	59	55-1/2	82

△ SEPARATE SUBMITTAL FOR THIS OPTION AVAILABLE

*THIS SIZE FURNISHED WITH ONE-PIECE COVER

DATE OF LAST CHANGE: 08/21/19

DIMENSIONS ARE SUBJECT TO MANUFACTURERS TOLERANCES AND CHANGE WITHOUT NOTICE. WE CAN ASSUME NO RESPONSIBILITY FOR USE OF SUPERSEDED OR VOID DATA.

JOSAM
MICHIGAN CITY, INDIANA

NOTES