

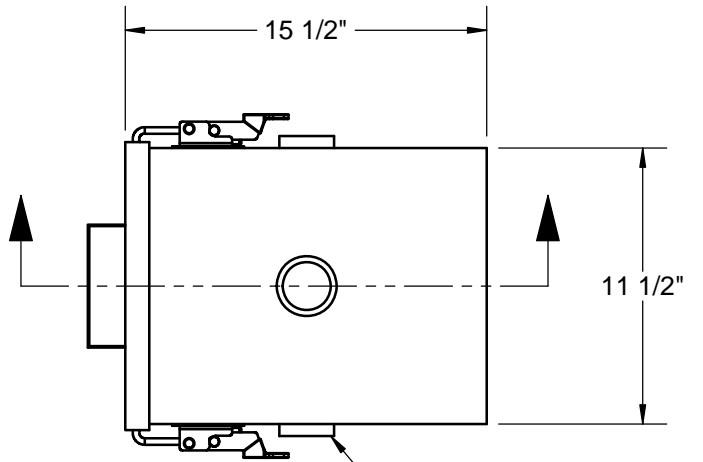
SPECIFICATION:

JOSAM SERIES 61500 STAINLESS STEEL (TYPE 304) SOLIDS INTERCEPTOR - DRAWER TYPE WITH LATCHED AND GASKETED SOLIDS BASKET AND 2" CONNECTIONS.

**SOLIDS INTERCEPTOR
DRAWER TYPE, TOP INLET**

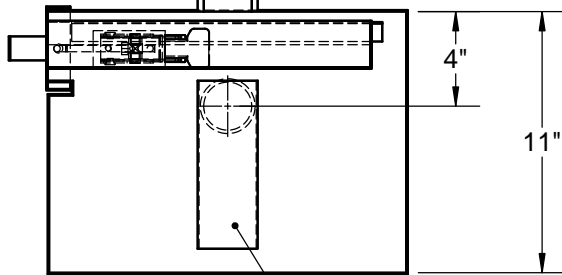
SERIES **61500**

MAX. 35 GPM

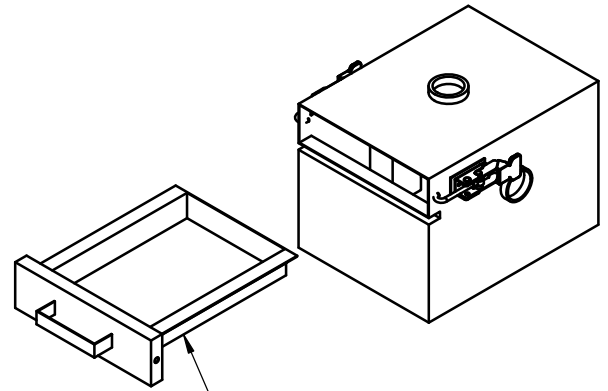


2" NO-HUB INLET

2" NO-HUB OUTLETS BOTH SIDES



INTERNAL TRAPLEGS BOTH SIDES



DRAWER TYPE SOLIDS BASKET WITH $\varnothing 5/32$ [4] HOLES SIDES AND BOTTOM

OPTIONS:

-T	NPT THREADED CONNECTIONS
-316	TYPE 316L MATERIAL

DATE OF LAST CHANGE: 05/21/13

DIMENSIONS ARE SUBJECT TO MANUFACTURERS TOLERANCES AND CHANGE WITHOUT NOTICE. WE CAN ASSUME NO RESPONSIBILITY FOR USE OF SUPERSEDED OR VOID DATA.

JOSAM COMPANY
MICHIGAN CITY, INDIANA

NOTES