

SPECIFICATION:

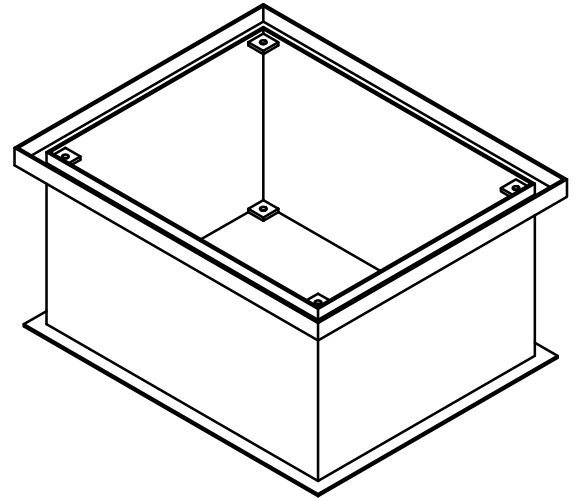
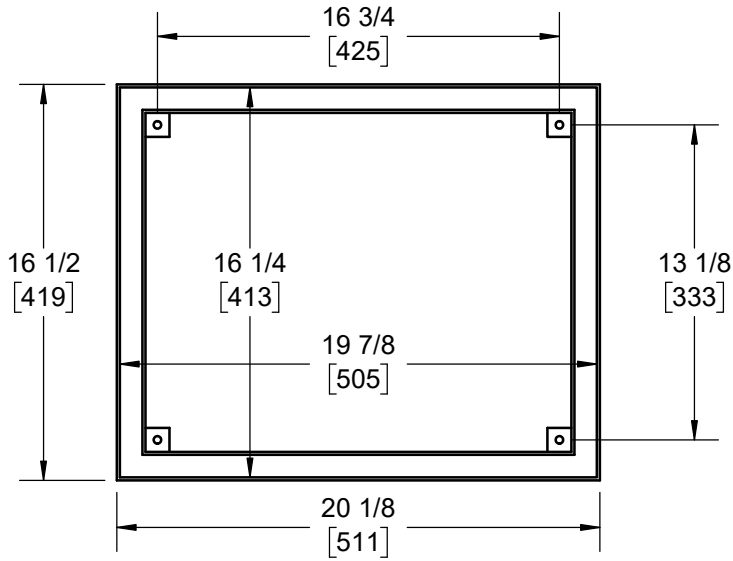
BOLT ON EXTENSION FOR 61805 INTERCEPTOR. MADE OF MILD STEEL.

BOLT ON EXTENSION

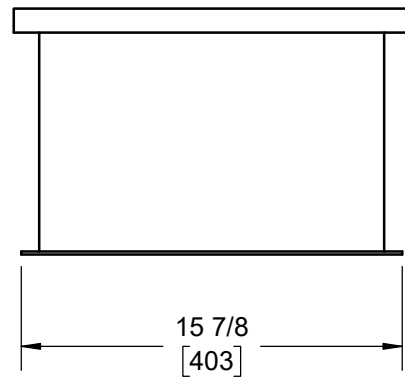
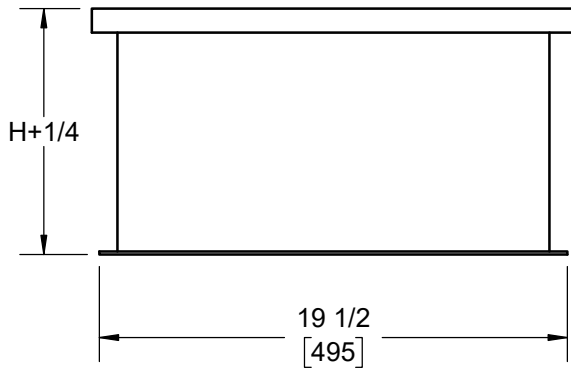
61805 SERIES

SERIES

61805-BXT



HEIGHT (SPECIFY) = _____



WARNING: Cancer and Reproductive Harm - www.P65Warnings.ca.gov

DATE OF LAST CHANGE: 06/18/18

DIMENSIONS ARE SUBJECT TO MANUFACTURERS TOLERANCES AND CHANGE WITHOUT NOTICE. WE CAN ASSUME NO RESPONSIBILITY FOR USE OF SUPERSEDED OR VOID DATA.

JOSAM

MICHIGAN CITY, INDIANA

NOTES