

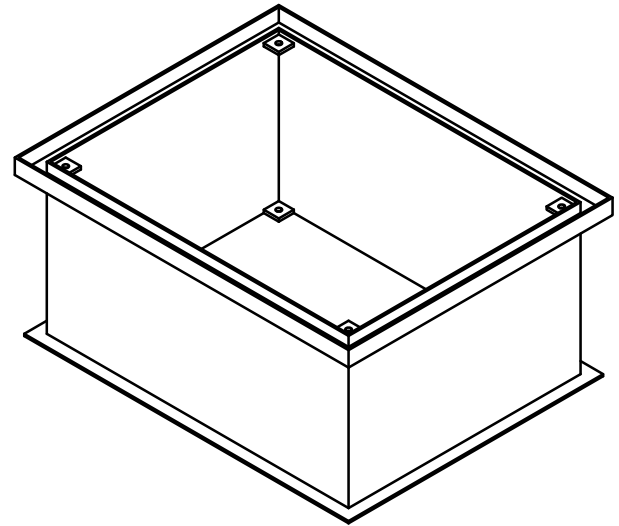
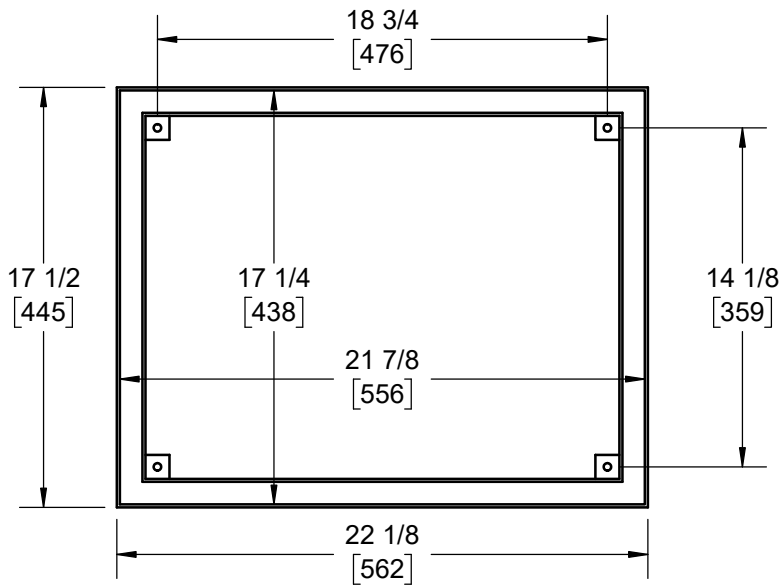
**SPECIFICATION:**

BOLT ON EXTENSION FOR 61806 INTERCEPTOR. MADE OF MILD STEEL.

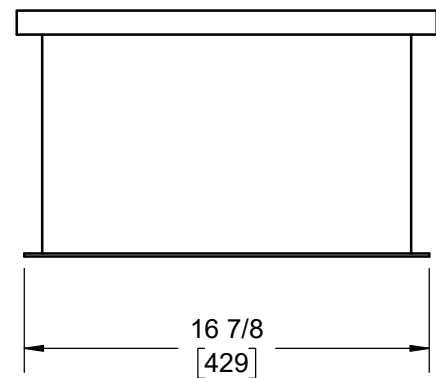
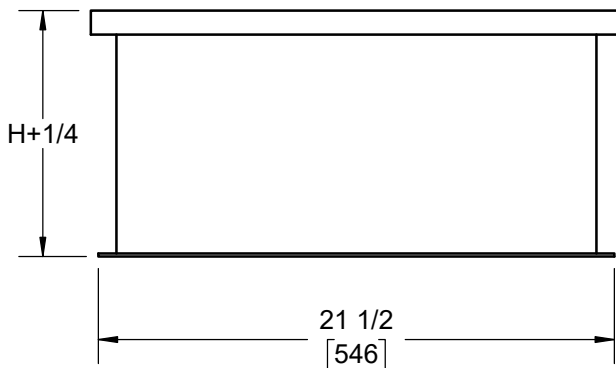
**BOLT ON EXTENSION**

61806 SERIES

SERIES **61806-BXT**



HEIGHT (SPECIFY) = \_\_\_\_\_



WARNING: Cancer and Reproductive Harm - www.P65Warnings.ca.gov

DATE OF LAST CHANGE: 06/18/18

DIMENSIONS ARE SUBJECT TO MANUFACTURERS TOLERANCES AND CHANGE WITHOUT NOTICE. WE CAN ASSUME NO RESPONSIBILITY FOR USE OF SUPERSEDED OR VOID DATA.

**JOSAM**

MICHIGAN CITY, INDIANA

NOTES