

SPECIFICATION:

JOSAM SERIES 67500 COATED CAST IRON BACKWATER VALVE, OFFSET TYPE, BRONZE SWING-CHECK ASSEMBLY, BOLTED GASKETED COVER AND HUB & SPIGOT CONNECTIONS.

BACKWATER VALVES

HUB & SPIGOT SWING-CHECK

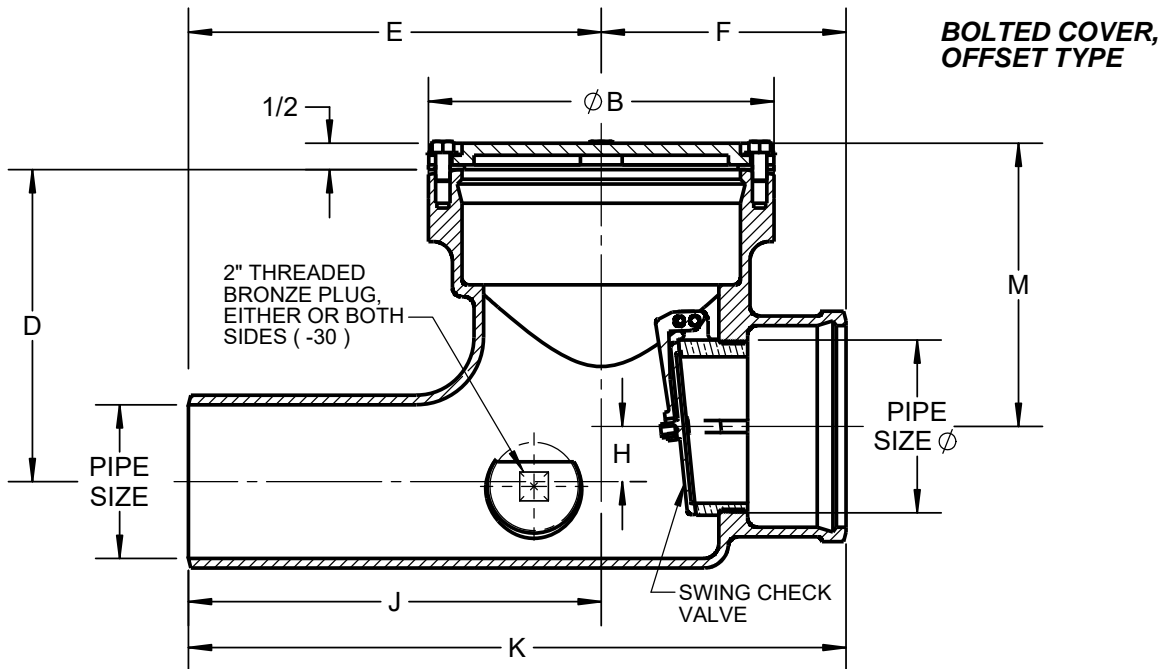
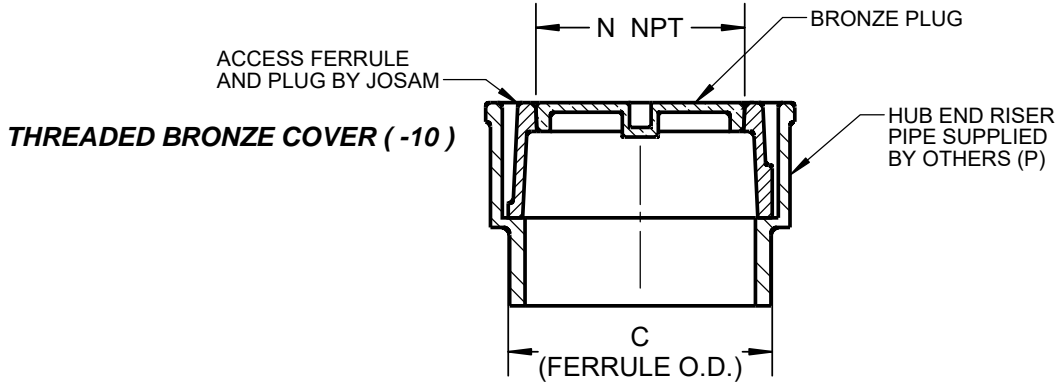
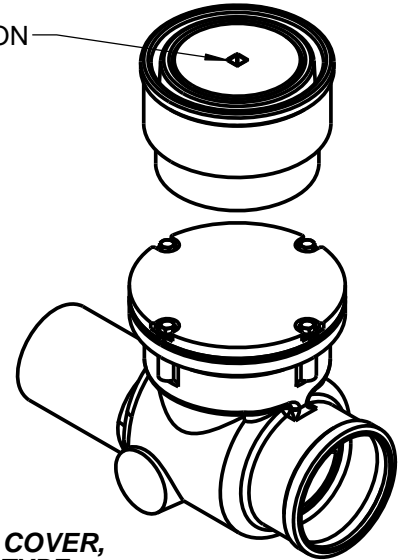
REF. XH PIPE DIMENSIONS

SERIES

67500

VALVE NORMALLY HANGS IN CLOSED POSITION, CAN BE SET TO HANG OPEN (-15) OPEN FLAP POSITION

-10 OPTION



	PIPE SIZE	DIA. "B"	DIA. "C"	DIM. "D"	DIM. "E"	DIM. "F"	DIM. "H"	DIM. "J"	DIM. "K"	DIM. "M"	"N" NPT	"P" PIPE SIZE
	2"	6-7/8	N/A	6-1/4	7	5	1-1/2	6-1/2	12	5-1/4	N/A	N/A
	3"	7-7/8	5-7/8	7-1/2	10	5-3/4	1-1/4	9	15-3/4	6-3/4	4	5" S.W. H.S.
	4"	9	6-7/8	8-1/8	10-3/4	6-3/8	1-1/2	9	17-1/8	7-1/4	5	6" S.W. H.S.
	6"	11-1/4	9	10	11-3/4	7-3/4	1-3/4	10-3/4	19-1/2	8-3/4	7	8" S.W. H.S.
	8"	13-3/4	11-1/8	11-3/4	12-1/2	7-3/4	2-1/4	11	20-1/4	10	9	10" S.W. H.S.

* FOR EXTENSION, USE "-10" OPTION WITH HUB & SPIGOT PIPE BY OTHERS

-10*	THREADED BRONZE COVER (3" - 8" SIZES ONLY)	-30	2" AUXILIARY INLET WITH BRONZE PLUG
-15	FLAP IN PARTIALLY OPEN POSITION		

DATE OF LAST CHANGE: 05/20/20

DIMENSIONS ARE SUBJECT TO MANUFACTURERS TOLERANCES AND CHANGE WITHOUT NOTICE. WE CAN ASSUME NO RESPONSIBILITY FOR USE OF SUPERSEDED OR VOID DATA.

JOSAM

MICHIGAN CITY, INDIANA

NOTES