

# DRAIN TILE SUMP

## DRAIN TILE SUMP WITH 4" (100) TILE INLETS

**FUNCTION:** Provides a sump with multiple inlets into which the foundation drain tile lines are connected.

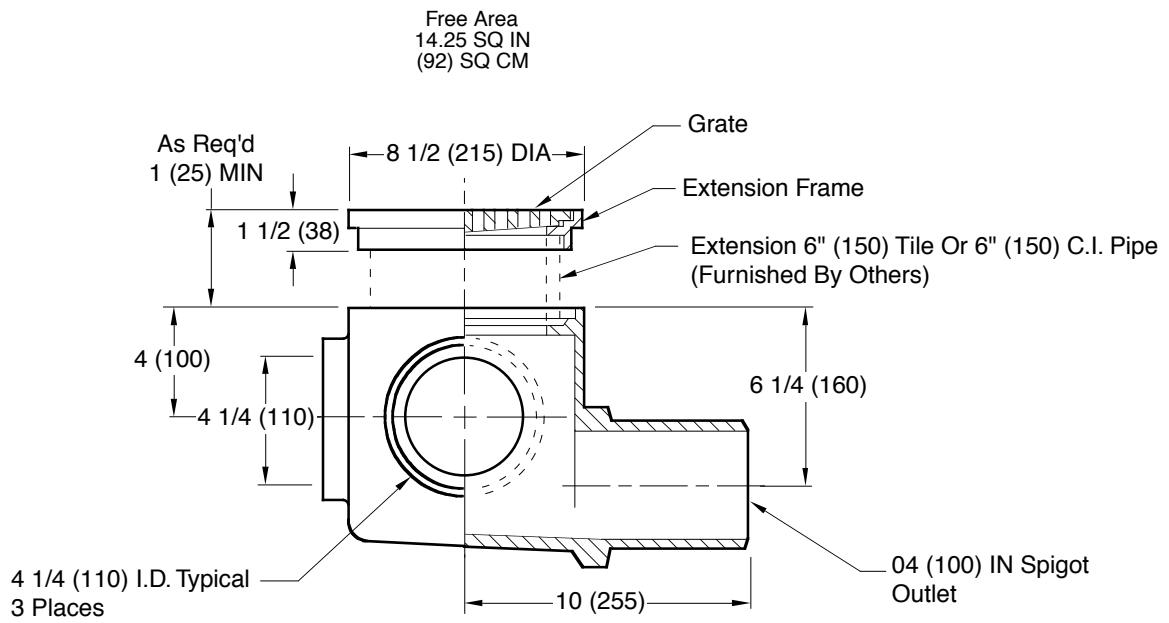


Fig 7097S04 . . . SPIGOT OUTLET

Sized for Service Weight and/or NO-HUB

**NOTE:** Dimensions shown in parentheses are in millimeters.

**REGULARLY FURNISHED:**  
 Duco Cast Iron Body and Extension Frame with Cast Iron Slotted Grate.

**VARIATIONS:**

	Body Only (Fig. 7098)
	Solid Cast Iron Cover -SC

**OPTIONAL MATERIALS:**

	Galvanized Cast Iron -G
	Nickel Bronze Top -NB
	Polished Bronze Top -PB

DRAWING NUMBER: S7097  
 SIZE: A  
 SCALE: NONE  
 DATE: 5-12-83  
 APPROVED BY: SJM  
 CHECKED BY: DT  
 DRAWN BY: BS  
 DIMENSIONS ARE SUBJECT TO MANUFACTURERS TOLERANCE AND CHANGE WITHOUT NOTICE

7097

FIGURE NUMBER	<b>B</b> <b>A</b>	4-17-97 8-19-94	Added Millimeters Submittal Update	EMB EMB	BS BS	WEIGHT POUNDS	VOLUME CUBIC FEET	FIGURE NUMBER  <b>7097</b>
REV.	DATE	DESCRIPTION	BY	CKD. BY				