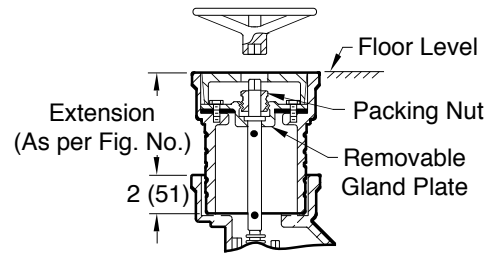
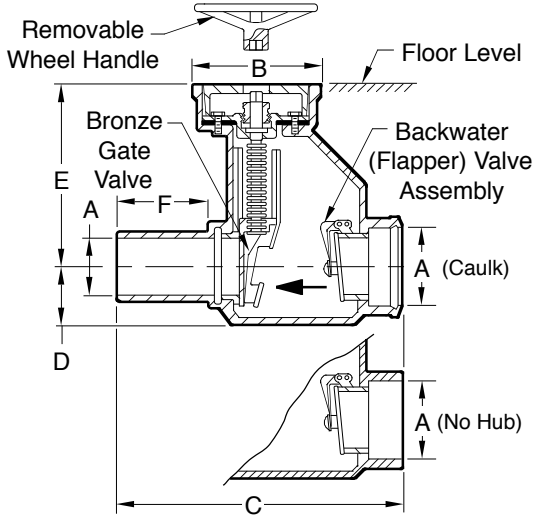


BACKWATER VALVES

IN-LINE MANUAL SHUT-OFF GATE VALVE

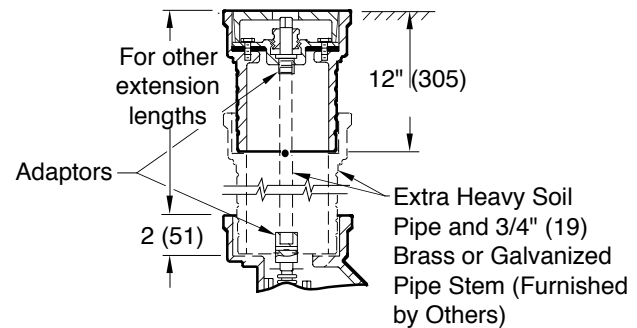
FUNCTION: Functions as a drainage control valve; flapper type backwater valve provides temporary protection against sewage backflow surges. Manually closed "spade" type gate valve provides additional complete "closure" protection during emergency conditions, when building is completely shut down or during extended periods of backflow conditions.



- Fig. 7151C..... with 12(305) in. Extension/04(100) in. Inlet & Outlet
- Fig. 7151Y..... with 12(305) in. Extension/04(100) in. Inlet & Outlet
- Fig. 7152C..... with 24(610) in. Extension/04(100) in. Inlet & Outlet
- Fig. 7152Y..... with 24(610) in. Extension/04(100) in. Inlet & Outlet
- Fig. 7153C..... with 9 1/2(240) in. Extension/06(150) in. Inlet & Outlet
- Fig. 7153Y..... with 9 1/2(240) in. Extension/06(150) in. Inlet & Outlet
- Fig. 7154C..... with 21 1/2(545) in. Extension/06(150) in. Inlet & Outlet
- Fig. 7154Y..... with 21 1/2(545) in. Extension/06(150) in. Inlet & Outlet

- Fig. 7150C..... CAULK INLET NO-HUB OUTLET
- Fig. 7150Y..... NO-HUB INLET & OUTLET

A SIZE	B DIA.	C	D	E	F
04(100)	8 (205)	18(455)	3 3/4(95)	12(305)	5(125)
06(150)	10 1/2(265)	20(510)	4 1/2(115)	14 1/2(370)	5(125)



- Fig. 7155C..... CAULK WITH EXTENSION ADAPTOR
- Fig. 7155Y..... NO-HUB ONLY

NOTE: B.W.V. flapper set at factory to hang in closed position. Pin can be moved to permit flapper to hang open 1/4" (6) to permit air circulation.

NOTE: 2-4" size furnished with Delrin Backed Neoprene flapper. All other sizes furnished with bronze flapper.

NOTE: Fig. 7150C and 7150Y are accessible from finished floor. Non-rising stem with spade-shaped gate assures positive closure.

NOTE: Extension joint(s) must be caulked using 1"(25) of oakum and 1"(25) of poured lead. Not sized for compression type gaskets.

NOTE: During periods when manual shut-off valve is closed, use of building plumbing fixtures and drains must be avoided.

REGULARLY FURNISHED:
 Duco Cast Iron Body and Cover with Removable Wheel Handle. Bronze Gate and Bronze Flapper Valve. Cast Iron Extensions as Indicated by Figure Number Selected.

VARIATIONS:
 Outlet Sized for Service Weight -SW (When Specified)

OPTIONAL MATERIALS:
 Galvanized Cast Iron -G

NOTE: These valves offer protection against backwater surges. Backflow is prevented when valve is not obstructed by debris or sludge. Use for gravity flow only, not for pressurized applications.

DRAWING NUMBER: S7150
 SIZE: A
 SCALE: NONE
 DATE: 5-16-83
 APPROVED BY: SJM
 CHECKED BY: DT
 DRAWN BY: BS
 FIGURE NUMBER: 7150
 DIMENSIONS ARE SUBJECT TO MANUFACTURERS TOLERANCE AND CHANGE WITHOUT NOTICE
 WE CAN ASSUME NO RESPONSIBILITY FOR USE OF SUPERSEDED OR VOID DATA

REV.	DATE	DESCRIPTION	BY	CKD. BY	WEIGHT POUNDS	VOLUME CUBIC FEET	FIGURE NUMBER
	12-6-16 04/25/03 01/04/00	Added Note Removed 3" Size Added Details	TBW JJ JJ	BW CL JCS			7150

BACKWATER VALVES

INLINE MANUAL SHUT-OFF GATE VALVE

DRAWING NUMBER: S7150BS
 SIZE: A
 SCALE: NONE
 DATE: 4-23-68
 APPROVED BY:
 CHECKED BY:
 DRAWN BY:

WE CAN ASSUME NO RESPONSIBILITY FOR USE OF SUPERSEDED OR VOID DATA
 DIMENSIONS ARE SUBJECT TO MANUFACTURERS TOLERANCE AND CHANGE WITHOUT NOTICE

Fig. 7150
04 (100), 06"(150)

Fig. 7151 04"(100)
Fig. 7152 04"(100)
Fig. 7153 06" (150)
Fig. 7154 06"(150)

NOTE: Dimensions shown in parentheses are in millimeters.

NOTE: Extension joint(s) must be caulked using 1" (25) of oakum and 1" (25) of poured lead. Not sized for compression type gaskets.

NOTE: For Replacement Parts Specify Part No., Fig. No. and Size Gate Valve.

Cover Plate Dia. For 04" (100) Size 7" (180) Dia.
 Cover Plate Dia. For 06" (150) Size 9 1/2 (240) Dia.

3/4" (19) Pipe Ext. by Others
 6" (150) or 8"(205) Size Soil Pipe Ext. by Others

Fig. 7155
04 (100), 06"(150)

PART NO.	DESCRIPTION
1	WHEEL HANDLE
2	COVER PLATE
3	STEM
4	PACKING BUSHING
5	VALVE PLATE BOLTS
6	B.W.V. PIN
7	B.W.V. BODY
8	B.W.V. COVER
9	B.W.V. ARM
10	GATE
11	GATE SEAT
12	BODY
13	VALVE PLATE
14	VALVE PLATE GASKET
15	PACKING
16	EXTENSION ROD ASSEMBLY
17	CHECK PLUG
18	EXTENSION
19	EXTENSION ADAPTOR
20	EXTENSION ADAPTOR STEM - TOP
21	STEM PIN
22	STEM PIN
23	EXTENSION ADAPTOR STEM ASS'Y - LOWER

FIGURE NUMBER	7150BS	REV.	DATE	DESCRIPTION	BY	CKD. BY	WEIGHT POUNDS	VOLUME CUBIC FEET	FIGURE NUMBER
									7150BS