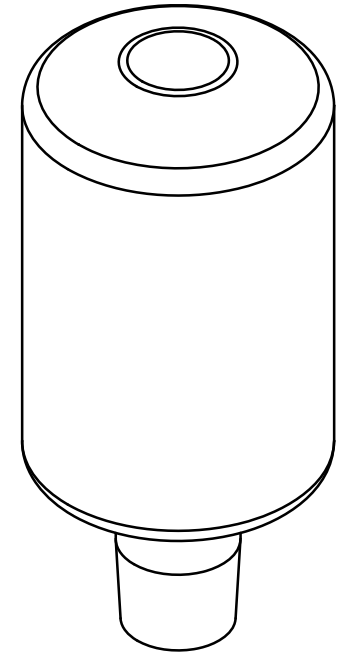
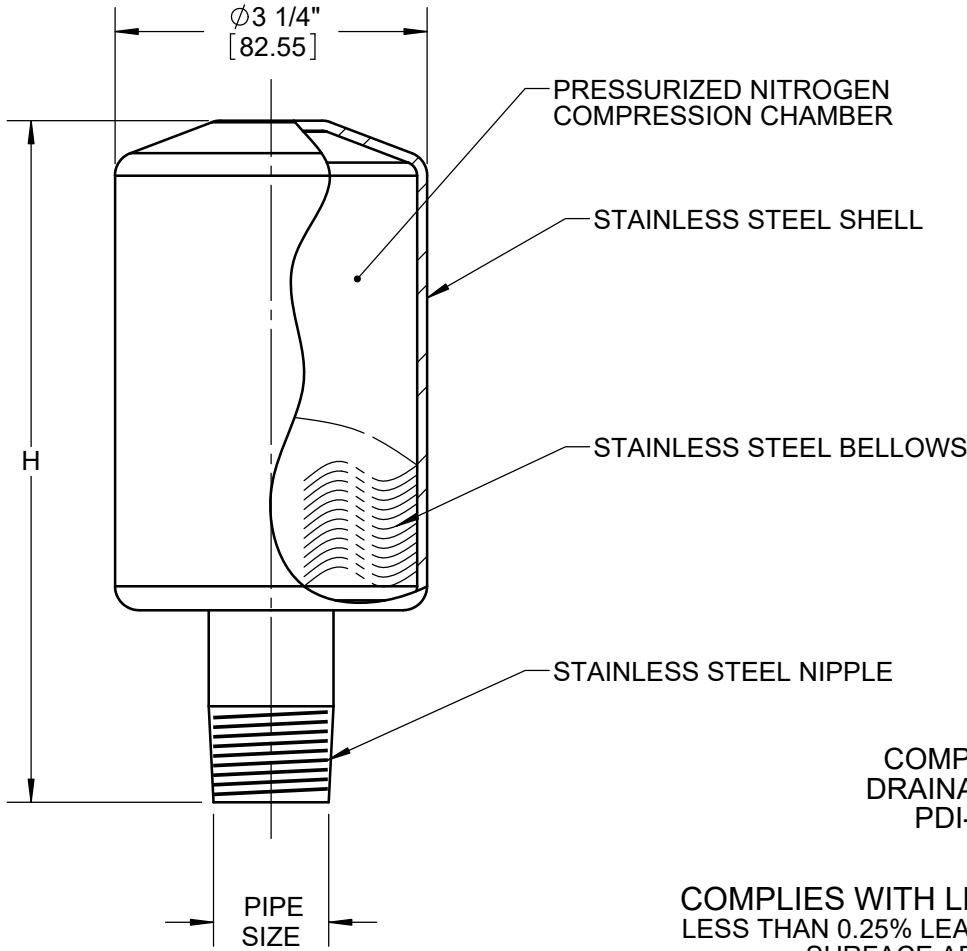


SPECIFICATION:

JOSAM 75000 SERIES ABSORBOTRON II® SHOCK ABSORBER WITH STAINLESS STEEL SHELL. HYDRO-PNEUMATIC CUSHION OF NITROGEN, STAINLESS STEEL BELLOWS AND STAINLESS STEEL MALE THREADED PIPE NIPPLE.

**SHOCK ABSORBER
STAINLESS STEEL**

SERIES **75000**



COMPLIES WITH PLUMBING AND DRAINAGE INSTITUTE STANDARDS PDI-WH-201 AND ASSE 1010.

COMPLIES WITH LEAD-FREE REQUIREMENTS LESS THAN 0.25% LEAD CONTENT OVER THE WETTED SURFACE AREA OF THE PRODUCT.

WARNING: Cancer and Reproductive Harm - www.P65Warnings.ca.gov

	PDI SIZE	MODEL	FIXTURE UNITS	PIPE SIZE	H
	A	75001A	1 - 11	3/4	3-1/8 [80]
	B	75002B	12 - 32	1	4 [102]
	C	75003C	33 - 60	1	4-5/8 [117]
	D	75004D	61 - 113	1	5-1/2 [140]
	E	75005E	114 - 154	1	7-1/16 [180]
	F	75006F	155 - 330	1	7-1/16 [180]

DATE OF LAST CHANGE: 08/21/18

DIMENSIONS ARE SUBJECT TO MANUFACTURERS TOLERANCES AND CHANGE WITHOUT NOTICE. WE CAN ASSUME NO RESPONSIBILITY FOR USE OF SUPERSEDED OR VOID DATA.



MICHIGAN CITY, INDIANA

NOTES