

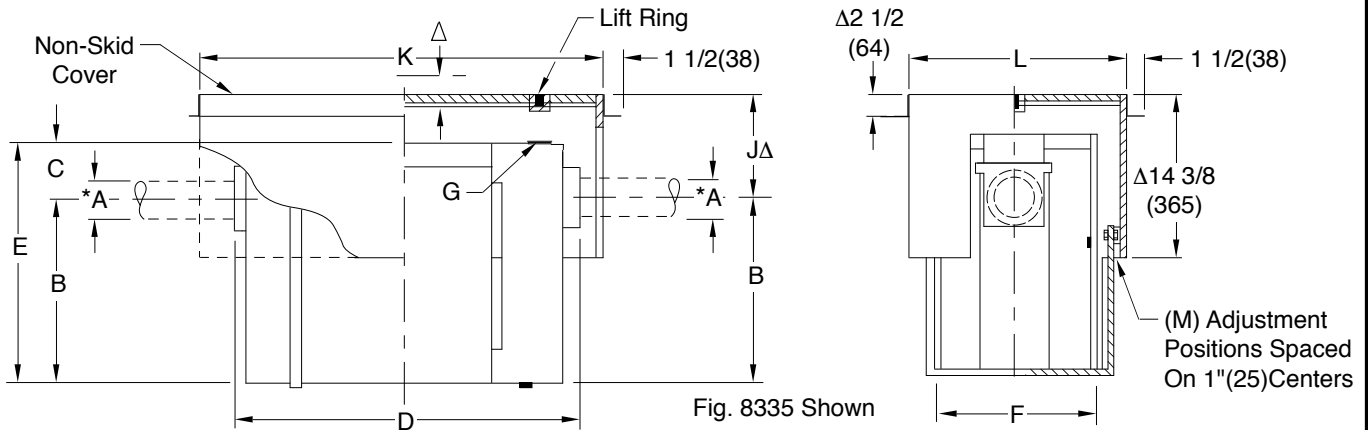
# GREASE INTERCEPTORS

## WITH RECEIVING CRADLE FOR RECESSED INSTALLATION

**FUNCTION:** The all steel receiving cradle provides nesting for the grease interceptor and vertical adjustability for the inlet/outlet connections.

**WATERPROOFING:** There are no provisions for waterproofing the cradle or interceptor. A drip pan (by others) is recommended for installations where units are installed suspended in an above grade floor structure above a ceiling.

**STRUCTURAL SUPPORT:** Whenever an interceptor is to be installed suspended in a floor slab with a cradle or independently, proper support is essential for safety and functional integrity of the installation. The structural support/support system shall be of sufficient strength and proper design for the purpose of supporting the unit when at full capacity and meet the approval of the architect and structural engineer. Jay R. Smith Mfg. Co. is not responsible for the design or recommendation of such supports/systems. Upon request, Jay R. Smith Mfg. Co. will provide the weight of the specific unit. Additional support must be added to compensate for the weight of the liquid/grease when in the flowing mode or static mode.



PCN/ Fig. No.	GPM Flow Rate	Grease Cap Lbs.	Inlet and Outlet Size A*	Dimensions						C.O. Plug Size G	Cradle Dimensions				
				Roughing Dimensions			Body				JΔ		K Length	L Width	
				B	C	D	Height E	Width F	MIN		MAX	M			
8304	4	8	02(50)	7 3/4(195)	3 1/4(83)	16 3/4(425)	11(280)	10(255)	2(51)	6 3/4(170)	17 3/4(450)	27 1/4 (690)	19 1/4 (490)	12(305)	
8307	7	14	02(50)	8 1/2(215)	3 1/2(89)	19(485)	12(305)	10 3/4(275)	2(51)	7(180)	17(430)	27 1/4 (690)	19 1/4 (490)	12(305)	
8310	10	20	02(50)	9 1/2(240)	3 3/4(95)	21 1/4(540)	13 1/4(334)	13 (330)	2(51)	7(180)	16(405)	27 1/4 (690)	19 1/4 (490)	12(305)	
8315	15	30	02(50)	12(305)	3 1/2(89)	25(635)	15 1/2(355)	14(355)	2(51)	7 1/2(190)	18 1/2(470)	34 3/4 (880)	22 3/4 (580)	13(330)	
8320	20	40	03(75)	13(330)	4(100)	28 1/2(725)	17(430)	15 3/4(400)	2(51)	7 1/2(190)	17 1/2(445)	34 3/4 (880)	22 3/4 (580)	13(330)	
8325	25	50	03(75)	15 1/4(390)	4 1/2(115)	30(760)	19 3/4(500)	16 3/4(425)	2(51)	7 1/2(190)	19 1/2(495)	41 3/4 (1060)	28 1/4 (720)	13(330)	
8335	35	70	03(75)	16(405)	5(125)	32 1/2(825)	21(535)	18 1/4(465)	2(51)	8 1/4(210)	18 3/4(475)	41 3/4 (1060)	28 1/4 (720)	13(330)	
8350	50	100	03(75)	17 1/2(445)	6 3/4(170)	35 1/2(900)	24 1/4(615)	20 3/4(525)	2(51)	10 1/4(260)	17 1/4(440)	41 3/4 (1060)	28 1/4 (720)	13(330)	

\*Available with larger inlet and outlet when specified.  
 ΔNOTE: When tile top is specified, add 1"(25). When Terrazzo top is specified add 1 1/4"(32).

**REGULARLY FURNISHED:**  
 Steel Interceptor and Receiving Cradle with Gray Duco Coating Inside and Outside and Flow Control Fitting.

Grease interceptor is a 8007-8050 series basic unit. Adding a receiving cradle changes the figure number to 8307-8350.

NOTE: Dimensions shown in parentheses are in millimeters.

- VARIATIONS:**
- ΔCradle Cover Recessed for Terrazzo, Ceramic or Quarry Tile -QC
  - ΔCradle Cover Recessed for Vinyl or Asphalt Tile -TC
  - Fully Enclosed Cradle with Integral Drip Pan (See Fig. No. 8380)
  - Lift Out Sediment Bucket -B
  - NO-HUB Adaptor (2) Required (Specify Fig. 2646Y)

- OPTIONAL MATERIALS:**
- Acid Resistant Coating Inside\*\* -ARI
  - Acid Resistant Coating Outside\*\* -ARO▲
  - Acid Resistant Coating Inside and Outside\*\* -ARIO▲
  - Acid Resistant Coated Cradle -ARC
  - Aluminum Cover for Cradle -ACC
  - Aluminum Cover for Interceptor -AC

\*\*Interceptor Only  
 ▲When ARO or ARIO is specified, ARC must also be specified.

NOTE: It is the responsibility of the installer to check all parts (internal and external) to verify they are in their proper operating order and location.



Figs. 8007 thru 8050 carry the Plumbing and Drainage Institute Certification Seal Certifying conformance to Grease Interceptor Standard PDI-G101.

DRAWING NUMBER S8300  
 SIZE A  
 SCALE: NONE  
 DATE: 4-24-85  
 APPROVED BY:  
 CHECKED BY: VGD  
 DRAWN BY: PJ  
 DIMENSIONS ARE SUBJECT TO MANUFACTURERS TOLERANCE AND CHANGE WITHOUT NOTICE

N	11-29-18	Added Note	TBW	SJM	WEIGHT POUNDS	VOLUME CUBIC FEET	FIGURE NUMBER <b>8300 Series</b>
M	1-30-14	Rev. Function, Added Notes	TBW	SJM			
L	5-7-12	Rev. Function, Var., Added Note	TBW	BW			
K	04/08/08	Revised Variation Note	JJ	TK			
REV.	DATE	DESCRIPTION	BY	CKD. BY			