



**JAY R. SMITH MFG. CO.**  
 MEMBER OF MORRIS GROUP INTERNATIONAL  
 POST OFFICE BOX 3237  
 MONTGOMERY, ALABAMA 36109-0237 (USA)  
 TEL: 334-277-8520 FAX: 334-272-7396 www.jrsmith.com

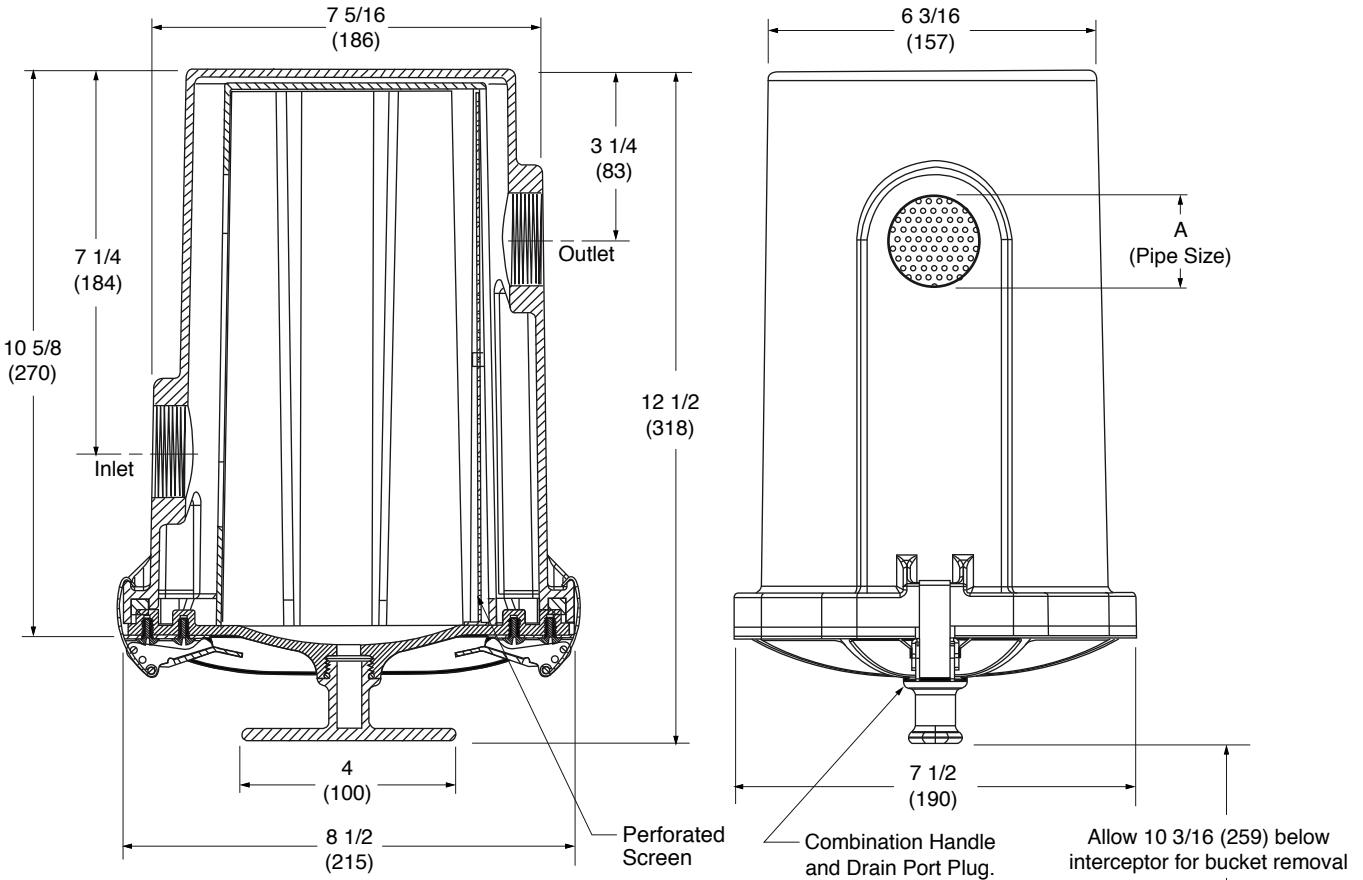


LOCATION

# SOLIDS INTERCEPTOR

## SUSPENDED TYPE

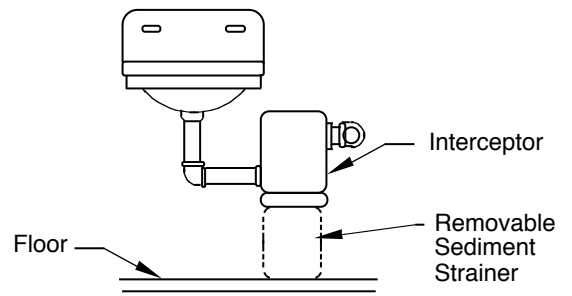
**FUNCTION:** Compact design makes this unit particularly adaptable for use directly under the fixture in place of the regular "P" trap. Unit will intercept all types of solids and precious metals. Interceptor is cleaned and inspected by removing bottom sediment strainer plate and dropping entire assembly.



A (Pipe Size) = 0150 (38) or 02 (50)

- Fig. 8730T0150-ABS
- Fig. 8730T02-ABS

### TYPICAL INSTALLATION



**REGULARLY FURNISHED:**  
 All ABS White Body, Gasketed Cover with Stainless Steel Latches and Removable Sediment Bucket with Removable 3/32 (2) Diameter Perforated Screen.

**NOTE:** Dimensions shown in parentheses are in millimeters.

DRAWING NUMBER  
s8730-ABS

SIZE  
A

SCALE:  
NONE

DATE:  
7-11-03

APPROVED BY:  
CEL

CHECKED BY:  
CL

DRAWN BY:  
RN

FIGURE NUMBER  
**8730-ABS**

WE CAN ASSUME NO RESPONSIBILITY FOR USE OF SUPERSEDED OR VOID DATA

DIMENSIONS ARE SUBJECT TO MANUFACTURERS TOLERANCE AND CHANGE WITHOUT NOTICE

REV.	DATE	DESCRIPTION	BY	CKD. BY

WEIGHT POUNDS	VOLUME CUBIC FEET

FIGURE NUMBER  
**8730-ABS**