

P

SMITH® JAY R. SMITH MFG. CO.®
 MEMBER OF MORRIS GROUP INTERNATIONAL
 POST OFFICE BOX 3237
 MONTGOMERY, ALABAMA 36109-0237 (USA)
 TEL: 334-277-8520 FAX: 334-272-7396 www.jrsmith.com



LOCATION

SAND INTERCEPTOR

DRAWING NUMBER

S8811

SIZE

A

SCALE:

NONE

DATE:

7-9-87

APPROVED BY:

CR

CHECKED BY:

BS

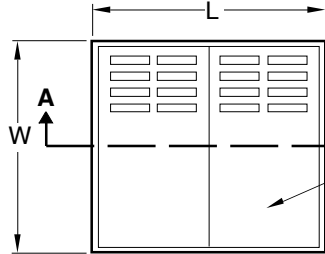
DRAWN BY:

WAS

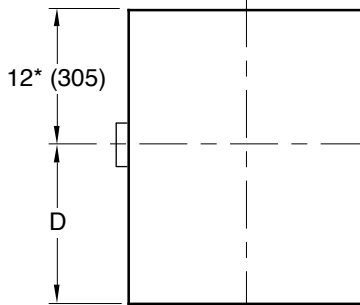
8811

WE CAN ASSUME NO RESPONSIBILITY FOR USE OF SUPERSEDED OR VOID DATA

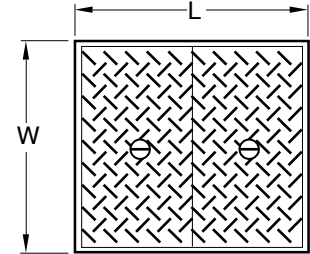
DIMENSIONS ARE SUBJECT TO MANUFACTURERS TOLERANCE AND CHANGE WITHOUT NOTICE



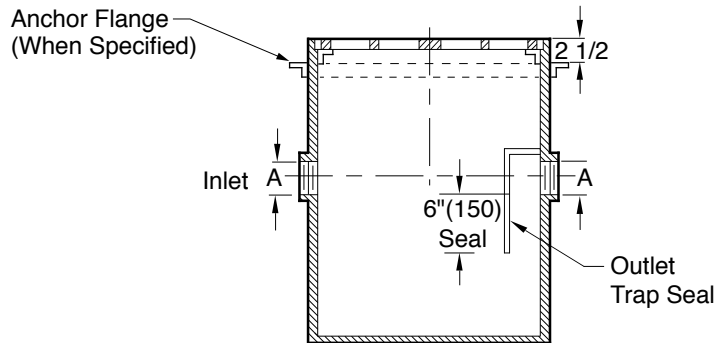
TOP VIEW



FRONT VIEW



TOP VIEW - SHD OPTION
(Note: Tread Pattern May Vary)



SECTION "A-A"

Fig. No.	Flow G.P.M. (Max)	A (Pipe Size)	L	W	D	Capacity (Static) Gals	No. of 12 x 24 Grates
8811-20	20	04 (100)	24 5/8 (631)	24 5/8 (631)	26 (660)	60	2
8811-50	50	04 (100)	48 5/8 (1235)	24 5/8 (631)	26 (660)	120	4
8811-150	150	04 (100)	48 5/8 (1235)	49 (1245)	38 (965)	360	8
8811-250	250	06 (150)	72 5/8 (1844)	49 (1245)	39 (990)	540	12
8811-350	350	06 (150)	96 5/8 (2454)	49 (1245)	45 (1143)	855	16
8811-500	500	06 (150)	120 5/8 (3063)	49 (1245)	51 (1295)	1200	20

REGULARLY FURNISHED:

Fabricated Steel Catch Basin, Gray Duco Coated Inside and Outside, Threaded Inlet and Outlet (with Outlet Trap Seal) and Cast Iron Grates.

*12"(305) Regularly furnished - Specify dimension if lower is required. For higher dimension, specify extension (-E) as required.

VARIATIONS:

- *Extension -E (Specify Height eg: -E24 for 24"(610) Ext. (Ext. Height shall be measured from top of body)
- NO-HUB Adaptor (2) Req'd (Specify Fig. 2646Y)
- Solid Heavy Duty Diamond Plate Cover -SHD
- Vandal Proof Screws -U
- Secured Grate
- Anchor Flange -F

OPTIONAL MATERIALS:

- Ductile Iron Grates -M (8811 Series)
- Ductile Iron Slotted Grate (Load Class H20)

NOTE: It is the responsibility of the installer to check all parts (internal and external) to verify they are in their proper operating order and location.

•• **NOTE:** When specifying H20 Ductile Iron Slotted Grates, additional supports are furnished under each grate.

NOTE: Dimensions shown in parentheses are in millimeters.

P	5-18-16	Rev. Reg. Furn., Callout	TBW	CL	WEIGHT POUNDS	VOLUME CUBIC FEET	FIGURE NUMBER 8811
N	2-12-16	Revised Table	TBW	TWK			
M	12-8-14	Rev. Table, Var., Drawing	TBW	TWK			
L	3-21-14	Revised Table	TBW	AM			
REV.	DATE	DESCRIPTION	BY	CKD. BY			