



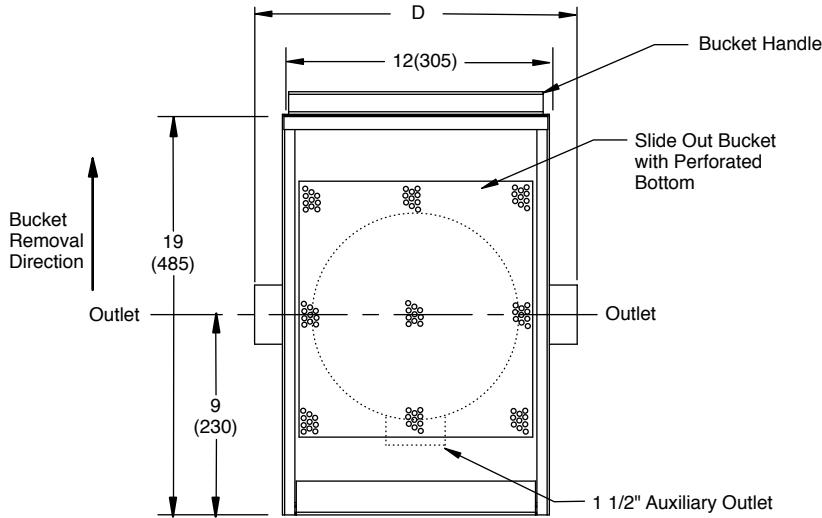
**JAY R. SMITH MFG. CO.**  
 MEMBER OF MORRIS GROUP INTERNATIONAL  
 POST OFFICE BOX 3237  
 MONTGOMERY, ALABAMA 36109-0237 (USA)  
 TEL: 334-277-8520 FAX: 334-272-7396 www.jrsmith.com



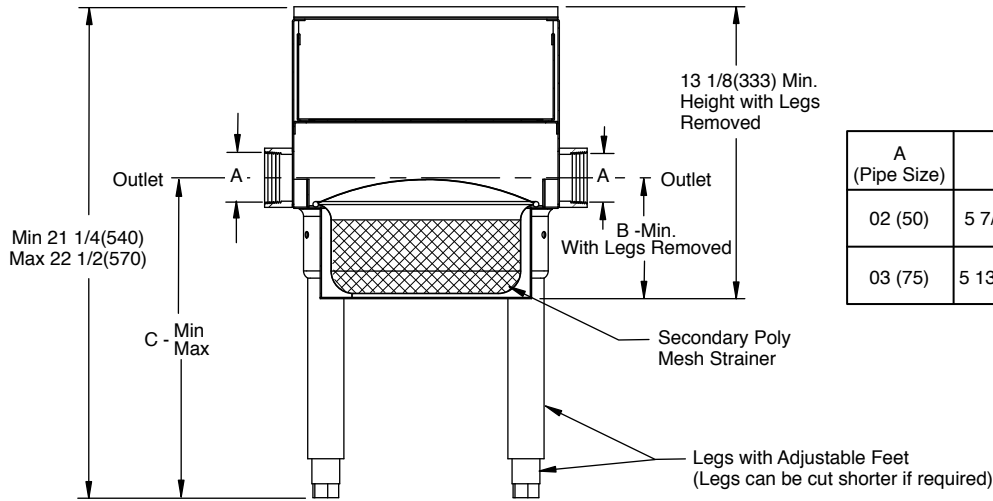
LOCATION

# INDIRECT WASTE SOLIDS INTERCEPTOR

**FUNCTION:** Open top solids interceptor provides a means of collecting food solids from an indirect waste discharge line before entering the drain line going to a grease interceptor.



**NOTE:** Allow 19(485) of clearance on bucket removal side of interceptor for bucket removal. Also allow 6(150) of clearance above interceptor for secondary mesh strainer removal.



A (Pipe Size)	B	C Min Max	D
02 (50)	5 7/16 (138)	13 1/2 (345) 14 7/8 (378)	14 1/2 (370)
03 (75)	5 13/16 (148)	13 7/8 (353) 15 1/4 (390)	15 1/4 (390)

A (PIPE SIZE) = 02(50) OR 03(75)  
 FIG. 8960T.....Threaded Connections

**REGULARLY FURNISHED:**  
 Fabricated Type 304 Stainless Steel Body with Adjustable Legs, Perforated Bottom Bucket, and Secondary Poly Mesh Strainer.

**VARIATIONS:**  
 "Y" No-Hub Connections

See reverse side for illustration of interceptor components.

DRAWING NUMBER  
s8960

SIZE  
A

SCALE:  
NONE

DATE:  
6-1-06

APPROVED BY:  
CEL

CHECKED BY:  
CL

DRAWN BY:  
RN

8960

FIGURE NUMBER

REV.	DATE	DESCRIPTION	BY	CKD. BY
A	11/05/09	1 1/2" was 2"	JJ	BW

WEIGHT POUNDS

VOLUME CUBIC FEET

FIGURE NUMBER

8960



**WARNING:** Cancer and Reproductive Harm - www.P65Warnings.ca.gov

WE CAN ASSUME NO RESPONSIBILITY FOR USE OF SUPERSEDED OR VOID DATA

DIMENSIONS ARE SUBJECT TO MANUFACTURERS TOLERANCE AND CHANGE WITHOUT NOTICE



**JAY R. SMITH MFG. CO.**  
 MEMBER OF MORRIS GROUP INTERNATIONAL  
 POST OFFICE BOX 3237  
 MONTGOMERY, ALABAMA 36109-0237 (USA)  
 TEL: 334-277-8520 FAX: 334-272-7396 www.jrsmith.com



MEMBER OF:



LOCATION

# INDIRECT WASTE SOLIDS INTERCEPTOR

DRAWING NUMBER  
s8960BS

SIZE  
A

SCALE:  
NONE

DATE:  
4-11-06

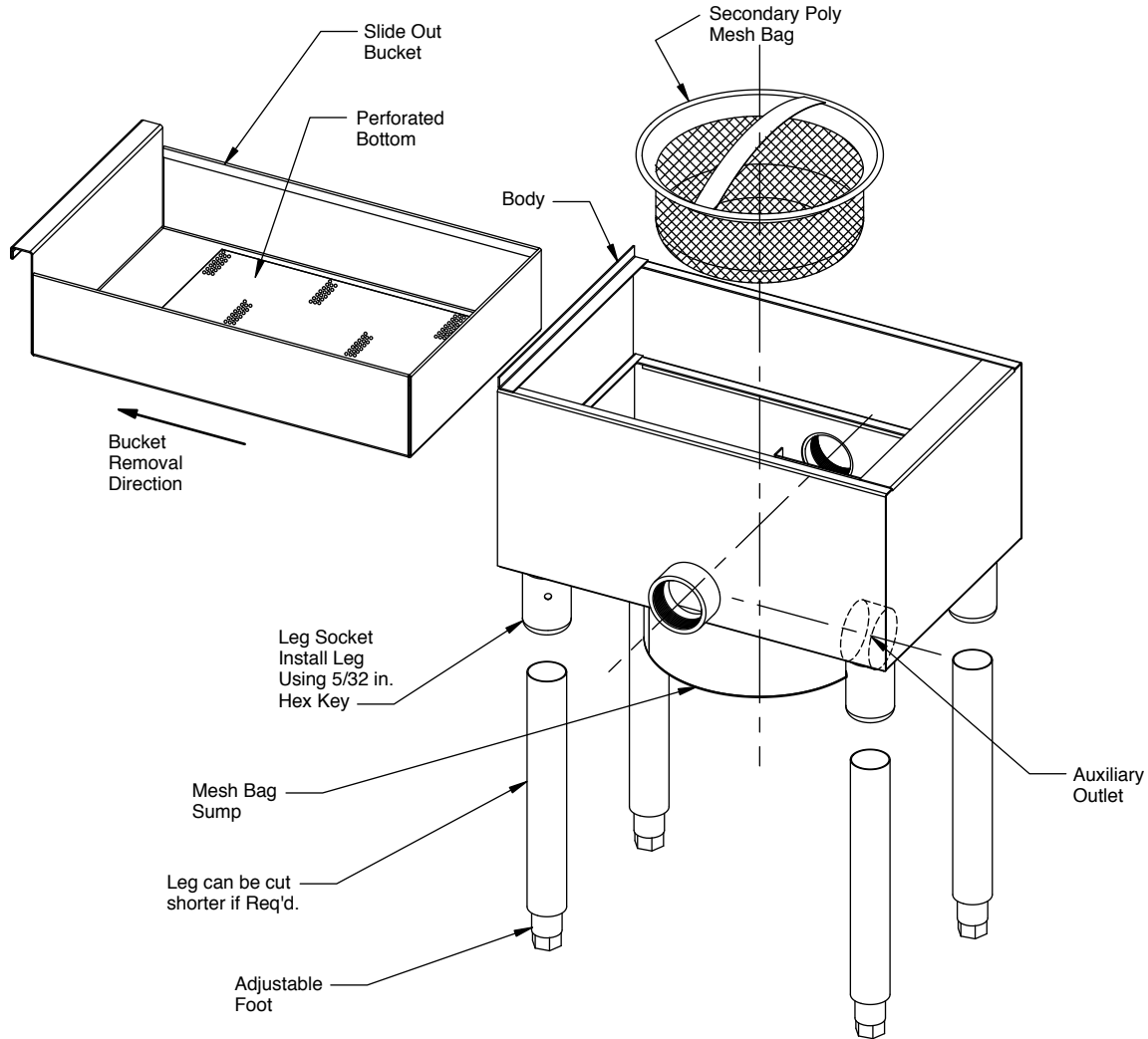
APPROVED BY:  
CEL

CHECKED BY:  
CL

DRAWN BY:  
RN

WE CAN ASSUME NO RESPONSIBILITY FOR USE OF SUPERSEDED OR VOID DATA

DIMENSIONS ARE SUBJECT TO MANUFACTURERS TOLERANCE AND CHANGE WITHOUT NOTICE



**8960**

FIGURE NUMBER

REV.	DATE	DESCRIPTION	BY	CKD. BY

WEIGHT POUNDS

VOLUME CUBIC FEET

FIGURE NUMBER  
**8960**



**WARNING:** Cancer and Reproductive Harm - www.P65Warnings.ca.gov