

SPECIFICATION:

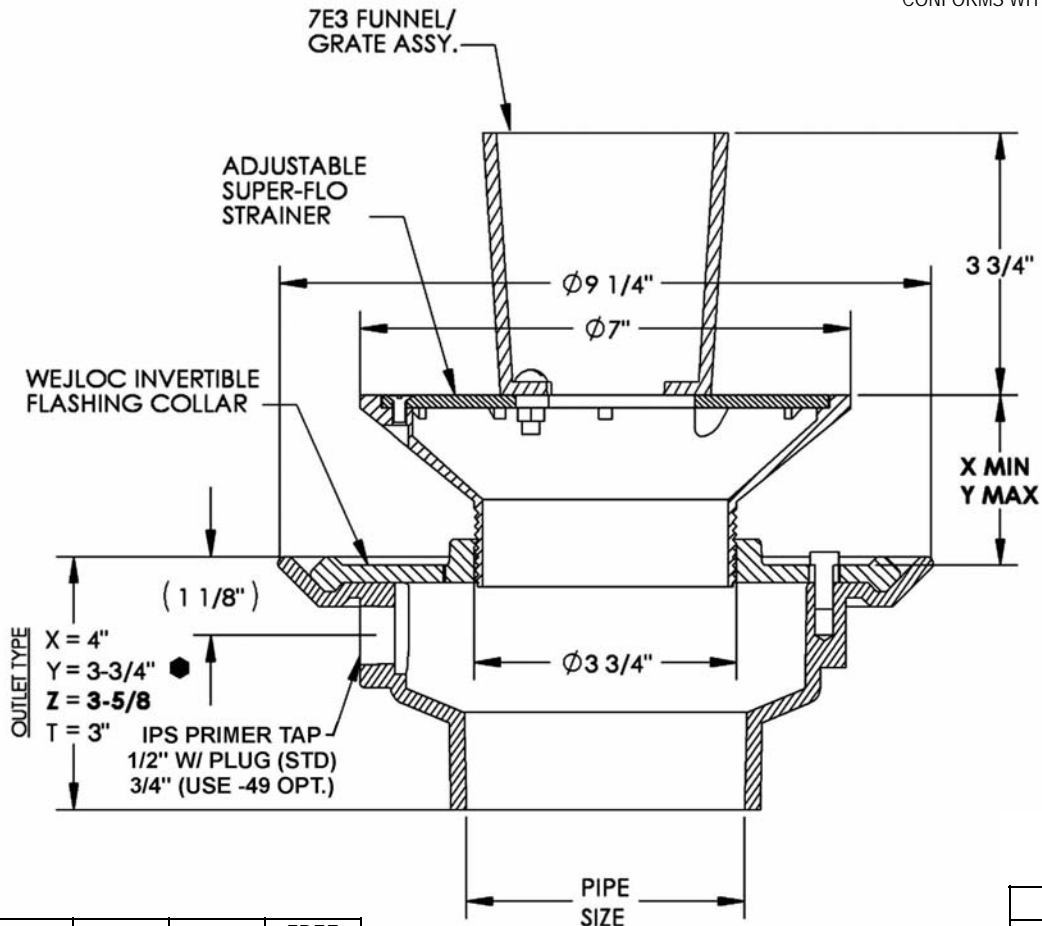
JOSAM 30000-E3 SERIES CAST IRON FLOOR DRAIN, TWO-PIECE BODY WITH DOUBLE DRAINAGE FLANGE AND 1/2" PRIMER TAP, WEJLOC® INVERTIBLE FLASHING COLLAR, WEEPHOLES, BOTTOM OUTLET CONNECTION AND NIKALOY ADJUSTABLE ROUND STRAINER WITH OVAL FUNNEL.

**FLOOR DRAIN
ADJUSTABLE FLOOR DRAIN**

SERIES

30000-E3

● GASKET ON -Y CONNECTION
CONFORMS WITH ASTM-C564



OUTLET TYPE
X = 4"
Y = 3-3/4" ●
Z = 3-5/8
T = 3"

IPS PRIMER TAP
1/2" W/ PLUG (STD)
3/4" (USE -49 OPT.)

STRAINER	X	Y	FREE AREA
-7E3	1	2-5/8	18.25

PIPE SIZE
2"
3"
4"

- TSO
- ST
- PD
- ARE
- 49
- 91
- 92

THREADED SIDE OUTLET
WITH SHALLOW TRAP (2" AND 3" ONLY)
PRISON DRAIN (2" AND 3" ONLY)
ACID-RESISTING EPOXY
3/4" PRIMER TAP
ROUGH BRONZE BODY
GALVANIZED CAST IRON PARTS

- 2
- 80
- J
- VP
- T
- X
- Y
- Z

BRONZE ADJUSTABLE STRAINER
PERFORATED STAINLESS STEEL BASKET
BACKWATER VALVE
SECURED GRATE, VANDAL-PROOF SCREWS
THREADED OUTLET
INSIDE CAULK OUTLET
HUB OUTLET WITH GASKET ●
NO-HUB SPIGOT OUTLET

DRAWING No. 06/18/08

A-13012-K

JOSAM COMPANY
MICHIGAN CITY, INDIANA

NOTES: