

**SPECIFICATION:**

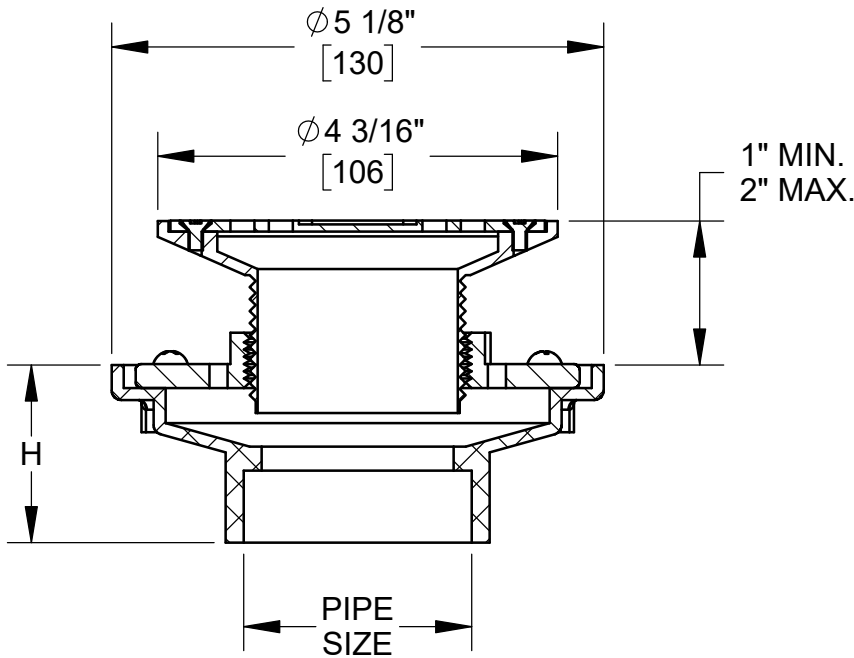
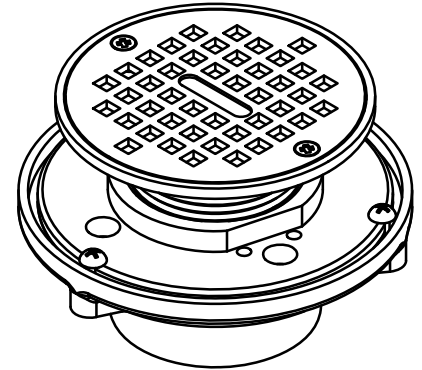
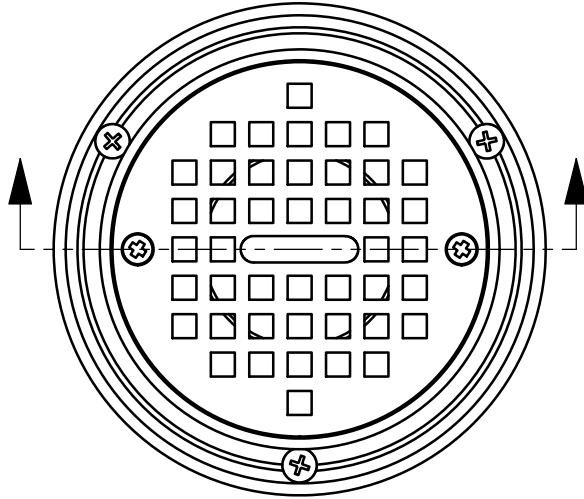
JOSAM SERIES FD-210-4CP FLOOR DRAIN WITH PVC BODY, INVERTIBLE CLAMP COLLAR WITH DRAINAGE SLOTS, AND 4" ROUND ADJUSTABLE CHROME-PLATED BRASS STRAINER.

**FLOOR DRAIN**

PVC

SERIES **FD-210-4CP**

GRATE FREE AREA: 3.75 in<sup>2</sup>  
MEETS ADA AND HEEL-PROOF REQS.



MODEL	PIPE SIZE	H
FD-212	2"	2-1/8
FD-213	3"	2-3/4
FD-214	4"	2-3/4

WARNING: Cancer and Reproductive Harm - www.P65Warnings.ca.gov

DATE OF LAST CHANGE: 06/26/18

DIMENSIONS ARE SUBJECT TO MANUFACTURERS TOLERANCES AND CHANGE WITHOUT NOTICE. WE CAN ASSUME NO RESPONSIBILITY FOR USE OF SUPERSEDED OR VOID DATA.

**JOSAM**

MICHIGAN CITY, INDIANA

NOTES