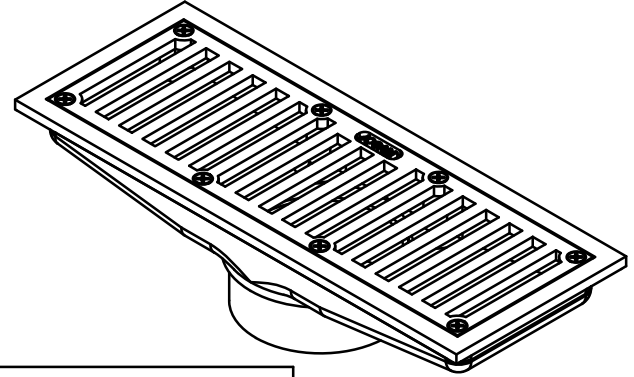


SPECIFICATION:

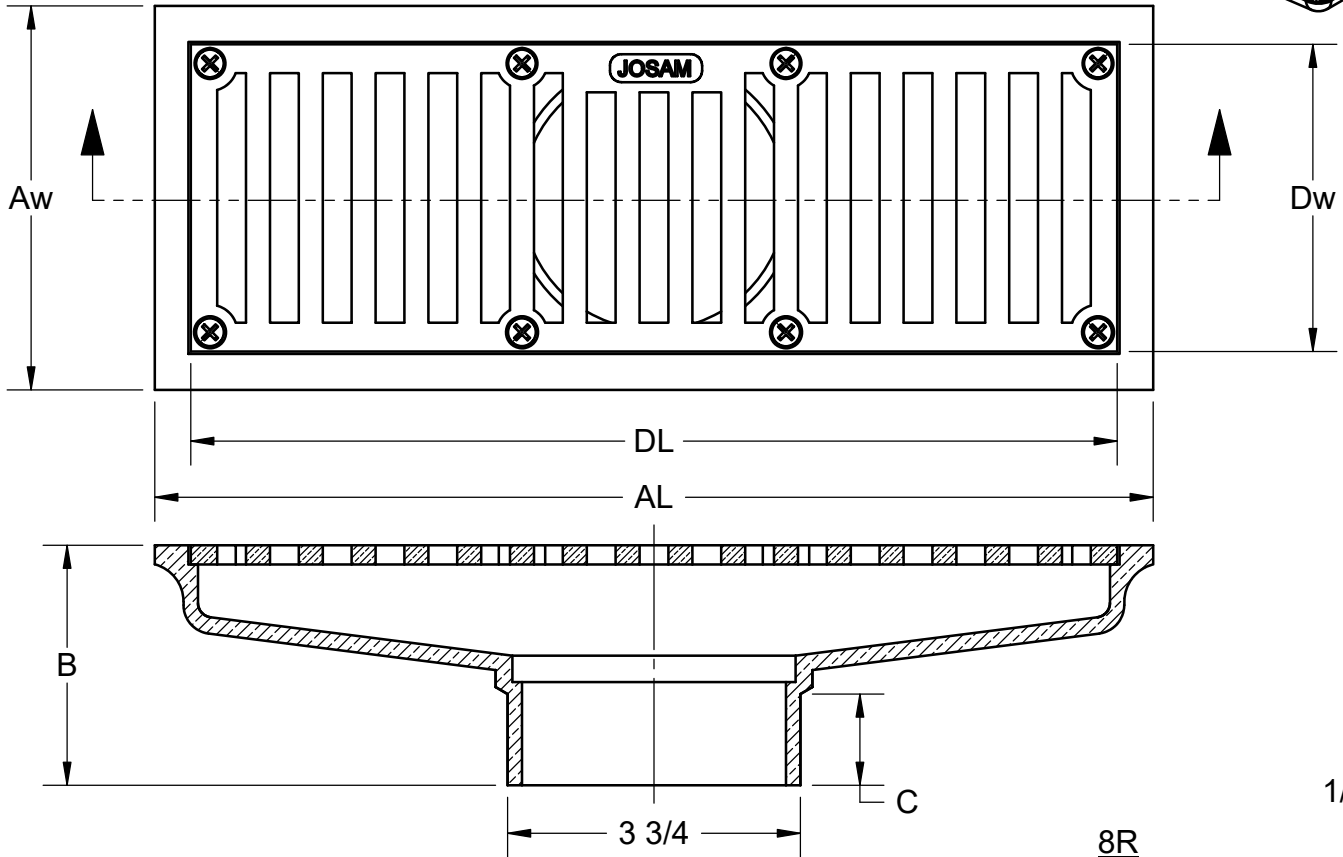
JOSAM SERIES "R" ADJUSTABLE SATIN FINISH NIKALOY RECTANGULAR STRAINER, THREADED WITH JOSAM ADJUSTABLE STRAINER THREAD.

**FLOOR DRAIN
ADJUSTABLE STRAINER**

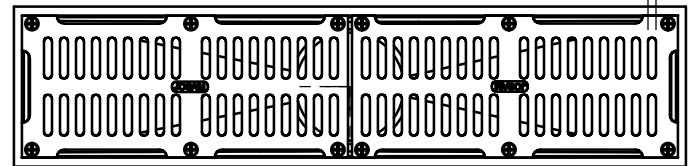
SERIES **R**



5R, 6R, 7R



-2	BRONZE ADJUSTABLE STRAINER
-80	PERFORATED STAINLESS STEEL BASKET
-J	BACKWATER VALVE
-VP	SECURED GRATE, VANDAL-PROOF
-TSI	TRAP SEAL INSERT



STRAINER	AL	Aw	B	C	DL	Dw	SLOT WIDTH	FREE AREA	ADA	HEELPROOF
-5R	9	5	3-1/4	1-1/8	8-3/8	4-3/8	13/32	14.9	YES	NO
-6R	13	5	3-1/4	1-3/8	12	4	3/8	20.0	YES	NO
-7R	17	5	3-1/4	1-3/8	16-1/4	4-3/8	13/32	22.4	YES	NO
-8R	21	5	3-1/4	1-1/4	20-3/8	4-3/8	1/4	47.0	YES	YES

DATE OF LAST CHANGE: 03/13/19

DIMENSIONS ARE SUBJECT TO MANUFACTURERS TOLERANCES AND CHANGE WITHOUT NOTICE. WE CAN ASSUME NO RESPONSIBILITY FOR USE OF SUPERSEDED OR VOID DATA.



MICHIGAN CITY, INDIANA

NOTES

WARNING: Cancer and Reproductive Harm - www.P65Warnings.ca.gov